

# CHAMPION №318-16



С ДВОЙНОЙ ИЗОЛЯЦИЕЙ

РУКОВОДСТВО ПОЛЬЗОВАТЕЛЯ

ЭЛЕКТРИЧЕСКАЯ ЦЕПНАЯ ПИЛА



#### ПРЕДУПРЕЖДЕНИЕ • ВАЖНАЯ ИНФОРМАЦИЯ

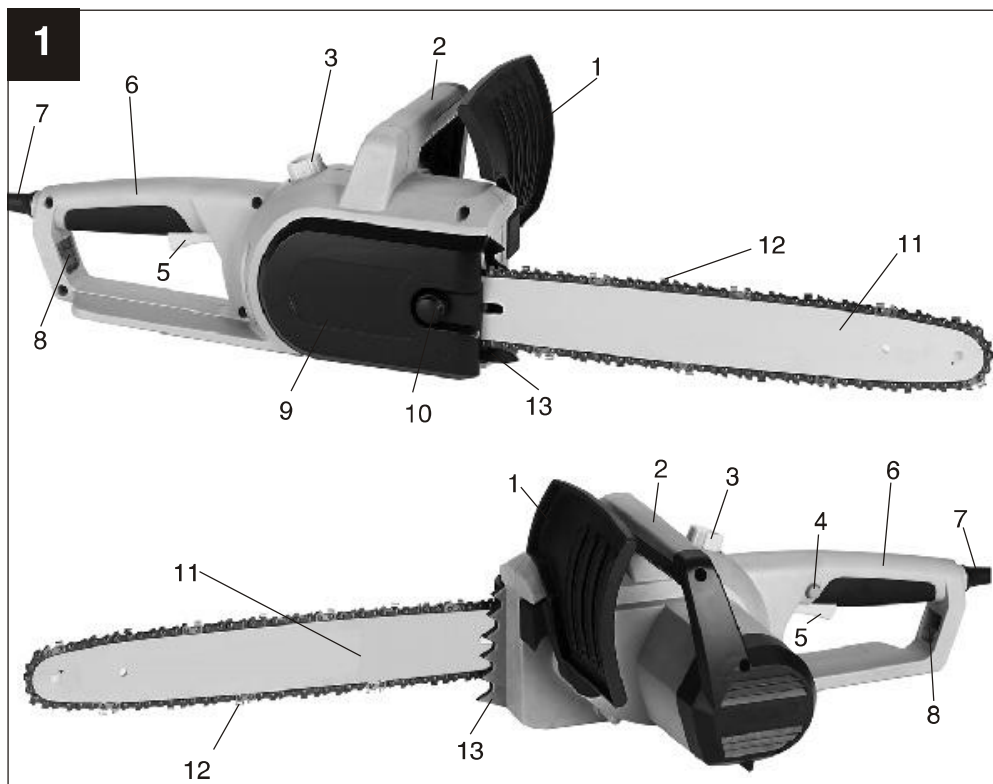
Внимание - опасность отдачи! Во время работы всегда крепко держите пилу обеими руками. Прежде чем приступить к работе, ознакомьтесь с указаниями по технике безопасности, которые содержатся в настоящем руководстве. Невыполнение соответствующих правил может привести к серьезным травмам и механическим повреждениям.

**CHAMPION**

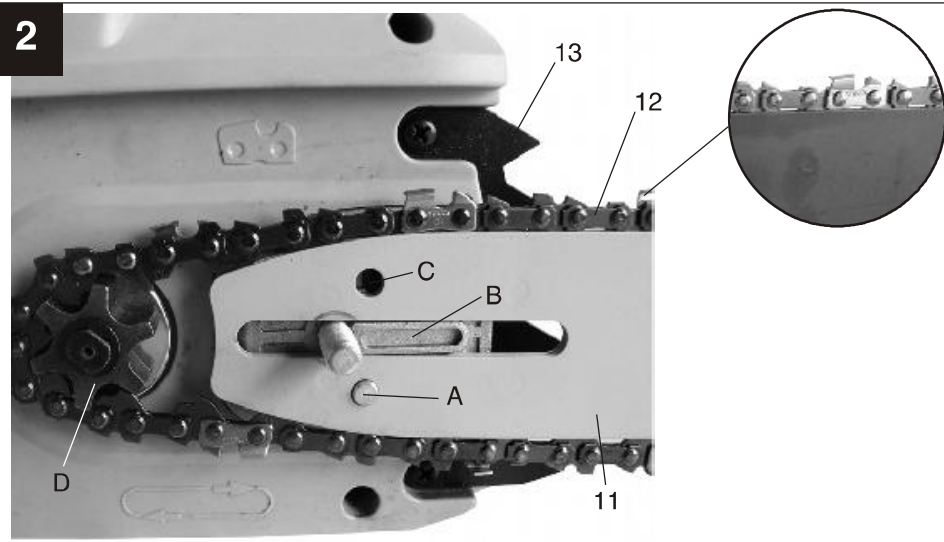
№318-16

**Power&Force**

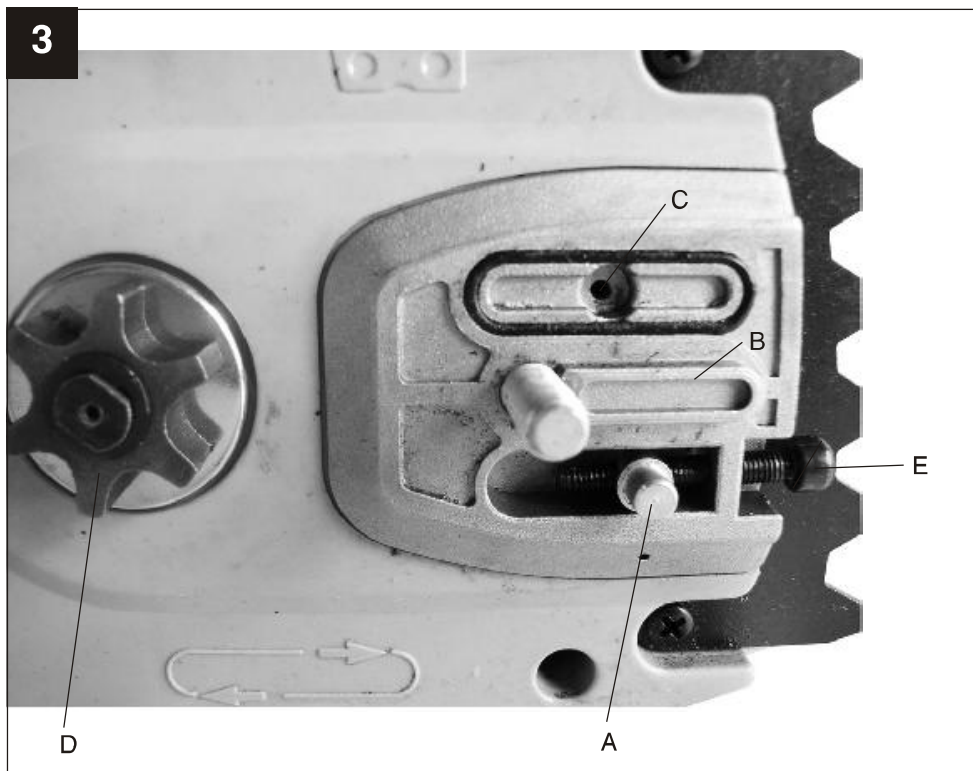
1



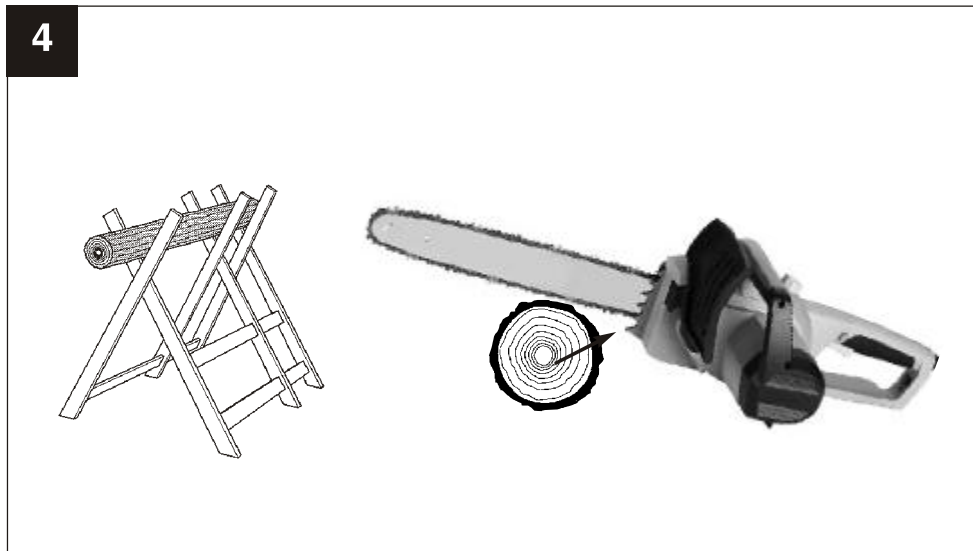
2



2



4



**CHAMPION**

*No 318-16*

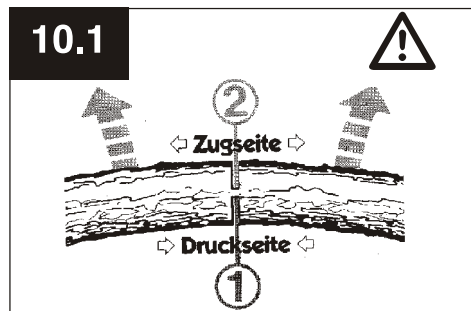
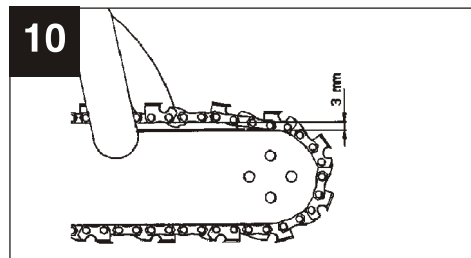
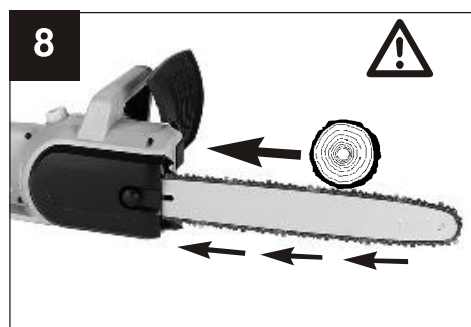
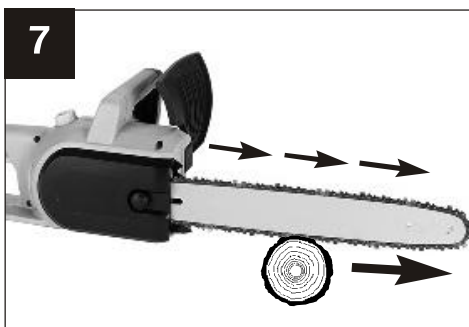
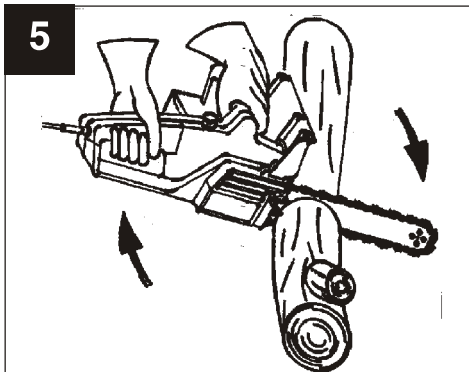
**Power&Force**

**Power&Force**

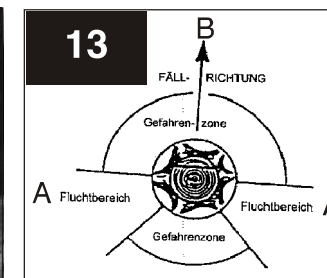
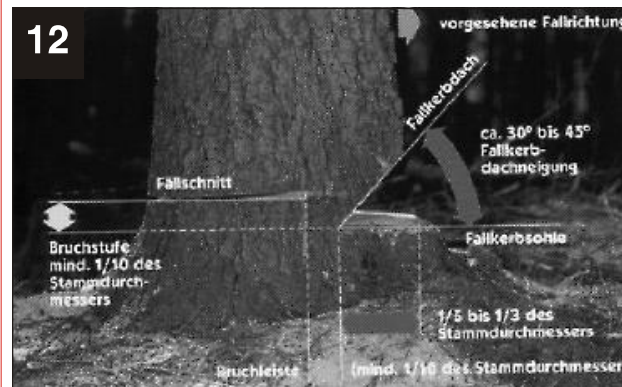
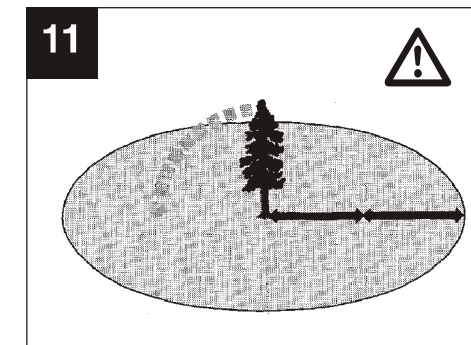
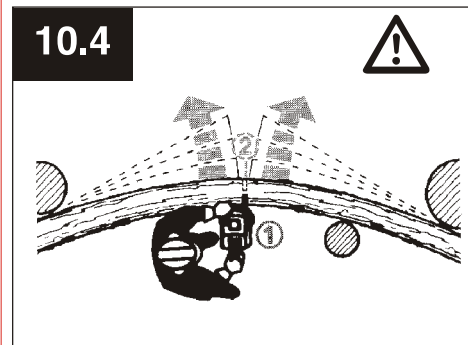
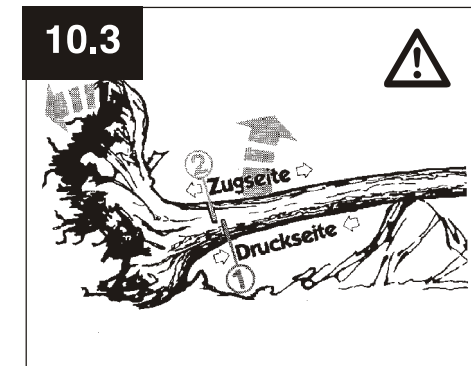
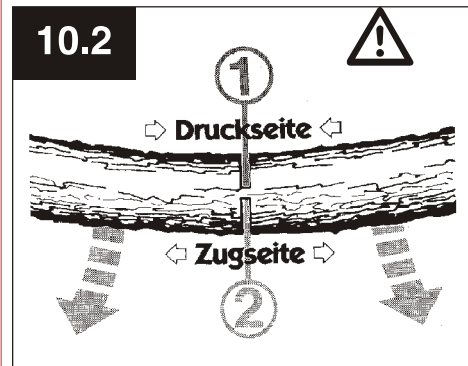
*No 318-16*

**CHAMPION**

3



4



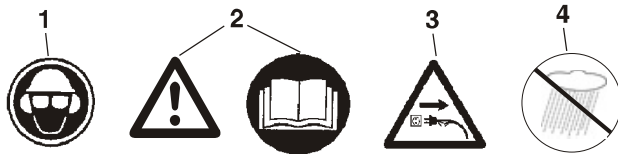
## 1. List of parts

- 1 Front finger guard
- 2 Front grip
- 3 Oil tank cover
- 4 Safety lock-off
- 5 On/Off switch
- 6 Rear grip
- 7 Mains cable
- 8 Cable holder
- 9 Chain wheel cover
- 10 Bar fastening nut incl. Protective cap
- 11 Chain bar
- 12 Saw chain
- 13 Claw stop

## 2. Technical data

Power Supply	230 V ~ 50 Hz
Power rating:	1800 W
Cutting length, max.:	40 cm
Cutting speed at rated rpm:	13,5 m/s
Guaranteed sound power level under load:	103 dB(A)

## 3. Explanation of the signs



1. Wear protective headgear, goggles and ear muffs
2. Important! Read the operating instructions and follow the warnings and safety instructions
3. If the cable is damaged, pull out the power plug immediately!
4. Protect from the damp

## 4. Safety instructions

**!** The safety instructions must be observed when using the machine. For your own safety and the safety of others, please read this information carefully before using the machine and keep it in a safe place for reference. Use the chainsaw only to saw wood or objects made of wood. Any other types of use are at your own risk and could well be dangerous. The manufacturer cannot be held liable for damage caused by improper or incorrect usage.



### Safety instructions and accident prevention

To prevent the incorrect handling of the chainsaw, please read the operating instructions in their entirety before using the machine for the first time. All the information on the handling of the chainsaw is relevant to your personal safety. Ask a professional to show you how to use the machine!

- Switch the machine off before releasing the chain brake.
- To prevent damage to your hearing, wear ear muffs; helmets with a visor are particularly advantageous.
- Make sure you have a firm footing when working with the chainsaw.
- Always switch off the machine before putting it down.
- Always pull the plug out of the power socket before doing any work on the machine.
- Only plug in when the machine is switched off.
- The chainsaw must be used only by one person at a time. All other persons must stay clear of the chainsaw's area of swing. Children and pets in particular must be kept well away at all times.
- The saw must not be touching anything when it starts up.
- Hold the chainsaw firmly in both hands when working with it!
- The chainsaw must not be operated by children and young people. The only exception to this rule are young persons of 16 years and over who can use the chainsaw under supervision as part of their training. Lend the saw only to those persons who are familiar with this type of machine and know how to handle it. Always pass on the operating instructions along with the chainsaw!
- The chainsaw may be operated only by persons who are rested and in good health, i.e. in good physical condition. If you start to tire, have a break in good time. The chainsaw may not be used after the consumption of alcohol.
- If the machine is not going to be used for a while it must be set aside in such a way that no other person is endangered.
- Before making a cut, always set the claw stop before you start to saw.
- The power cable must always be behind the saw operator.
- The power cable must always lead away from the rear of the machine.
- Use only original accessories.
- **Machines used outdoors must be connected up to an earth-leakage circuit-breaker.**
- When using an extension cable outdoors: Check that it is approved for outdoor use and is marked accordingly
- Use a strong support when sawing converted timber and thin branches (sawing trestle, Fig. 4). Do not stack the timber and do not have it held by a second person or with your foot.
- Logs must be secured in position.
- On sloping ground, always work facing upwards.
- Pull the saw out of the wood only when the saw chain is running.
- If you are performing several cuts, switch off the chainsaw in between cuts.
- Pay extra attention when cutting splintered wood. Sawed off pieces of wood may be catapulted in any direction (risk of injury!).
- Do not use the chainsaw to remove or sweep away small pieces of wood or similar objects.
- Leave branch lopping work to trained personnel! Risk of injury!
- Pay special attention to branches under tension. Do not cut through freely suspended branches from underneath.
- Never stand on the trunk when lopping off branches.
- The chainsaw may not be used for forest work, i.e. for felling and lopping off branches in the forest. Because of the cable connection the saw operator does not have the necessary mobility and his safety is not guaranteed!
- Always stand to the side of the tree being felled.
- When retreating after making the back cut, watch out for falling branches.
- On slopes the saw operator should stand to the upper or left or right side the trunk or lying tree, never by its bottom.
- To prevent injury, damaged power cables may only be replaced by the manufacturer or the customer service center.

In order to prevent kick-back, please follow these safety instructions:

- Never start cutting with the tip of the chain bar! Always keep a close eye on the tip of the chain bar!
- Never cut with the tip of the chain bar! Be careful, when continuing cuts you are already working on!
- Always start cuts with the chainsaw already running!
- Make sure that the saw chain is always properly sharpened.
- Never cut through more than one branch at a time! When lopping off branches, be careful not to touch any other branches.
- When cross-cutting, pay attention to trunks standing very close to each other. If possible use a sawing trestle.

## 5. Transporting the chainsaw

Before transporting the chainsaw, always remove the plug from the power socket and slide the chain guard over the rail and chain. If several cuts are to be performed with the chainsaw, the saw must be switched off between cuts.

Please note that our equipment has not been designed for use in commercial, trade or industrial applications. Our warranty will be voided if the machine is used in commercial, trade or industrial businesses or for equivalent purposes.

## 6. Before starting up

The voltage and current supply must comply with the ratings on the type plate. Before commencing work, always check that the chainsaw works properly and is safe to operate. Check also that the chain lubrication and the oil gauge are in good working order (see Fig. 9). When the oil level is approx. 5 mm from the bottom mark (marked with "Min" in the illustration), you must top up with oil. When the oil level is above this mark you can work without worry. Switch on the chainsaw and hold it above light-colored ground. Be careful not to allow the chainsaw to touch the ground. For safety reasons it is best to keep a clearance of at least 20 cm. If you now see growing traces of oil, the chain lubrication system is working correctly. If there are no traces of oil at all, try cleaning the oil outlet (Fig. 3/pos. C) or contact your Customer Service.

## 7. Assembling the chain bar and saw chain (see Fig. 1/2/3)

**Make sure that the power plug is disconnected from the power supply!**

**- Important: The front finger guard (1) must always be in the top (vertical) position.**

The chain bar and saw chain are delivered separately. To assemble, first remove the protective cap (10), unscrew the hexagon head cap screw underneath and detach the chain cover (9). To prevent injury on the sharp cutting edges, always wear gloves when assembling, tensioning and checking the chain.

**Before assembling the chain bar with the saw chain, check the cutting direction of the teeth (see Fig. 2)! Hold the chain bar (11) vertically with the tip pointing upwards and put on the saw chain (12), beginning at the tip of the bar. Then assemble the chain bar and saw chain as follows:**

Place the chain bar with saw chain on the sword guide (B) and chain tensioning bolt (A). Fit the saw chain round the chain wheel (D) and make sure the chain is correctly mounted (see Figure 2/Item 12). Place the cover (9) on top and tighten gently with the hexagon nut.

## 8. Tensioning the saw chain

**Always pull out the power plug before doing any work on the machine!**

**Wear safety gloves!**

Make sure that the saw chain (12) is inside the guide groove of the chain bar (11)! You can now tension the chain correctly by turning the chain tensioning screw (E) clockwise (turning it anticlockwise may loosen the chain). Then tighten the hexagon nut. Check the chain tension again (see Fig. 10). **Do not tension the saw chain too tightly.** When cold, it should be possible to lift the chain in the middle of the chain bar approx. 3 mm. When warm, the saw chain will expand and slacken. There is a danger of the saw chain jumping off the rail altogether.

Retension if necessary. If the saw chain is retensioned when hot, it must be loosened again when the sawing work has been completed. Otherwise, the contraction which takes place as the chain cools would result in excessively high tension. A new saw chain requires a running-in period of approx. 5 minutes. Chain lubrication is very important at this stage. After running in, check the chain tension and retension if necessary.

## 9. Filling with chain oil (see Fig. 9)

To prevent dirt getting inside the tank, clean the oil tank cap (3) before opening. Check the contents of the oil tank during sawing work by checking the oil gauge (A). Close the oil tank cap (3) tightly and wipe

away any spills.

## 10. Chain lubrication

To prevent excessive wear, the saw chain and chain bar must be evenly lubricated during operation. Lubrication is automatic. Never work without chain lubrication. If the chain runs dry, the entire cutting apparatus will quickly become severely damaged. It is therefore important to check both chain lubrication and the oil gauge before every use (Fig. 9). Never use the saw when the oil level is below the „Minimum“ mark (Fig. 9).

- Minimum - When only approx. 5 mm of oil is visible at the lower rim of the oil gauge, you must top up with oil.
- Maximum - Top up with oil until the window is full.

## 11. Checking the automatic lubrication

Before commencing work, check the automatic chain lubrication and oil gauge. Switch on the chainsaw and hold it above light-colored ground. Be careful not to allow the chainsaw to touch the ground. For safety reasons it is best to keep a clearance of at least 20 cm. If you now see growing traces of oil, the chain lubrication system is working correctly. If there are no traces of oil at all, try cleaning the oil outlet (Fig. 3/Item C) or contact your Customer Service.

## 12. Chain lubricants

The service life of saw chains and chain bars depends to a large extent on the quality of the lubricant used. Old oil must not be used! Use only environment-friendly chain lubricant. Store chain lubricant only in containers which comply with the regulations.

## 13. Chain bar

The chain bar is subject to especially severe wear and tear at the nose and on the bottom. To avoid one-sided wear and tear, turn the chain bar over every time you sharpen the chain.

## 14. Chain wheel

The chain wheel (Fig. 2/Item D) is subject to especially high wear and tear. If you notice deep wear marks on the teeth, the chain wheel must be replaced. A worn chain wheel curtails the service life of the saw chain. Have the chain wheel replaced by a specialist dealer or your Customer Service.

## 15. Chain guard

The chain guard must be clipped onto the chain and sword as soon as the sawing work has been completed and whenever the machine has to be transported.

## 16. Chain brake

In the event of kick-back, the chain brake will be actuated via the front finger guard (1). The front finger guard (1) is pushed forwards by the back of the hand and this causes the chain brake to stop the chainsaw, or rather the motor, within 0.10 s.

## 17. Releasing the chain brake

To be able to use your chainsaw again, you must release the saw chain again. First switch off the machine. Then push the front finger guard (1) back into the vertical position until it locks in place. The chain brake is now fully functional again.

## 18. Sharpening the saw chain

You can have your saw chain sharpened fast and correctly by specialist dealers, from whom you can also obtain chain sharpening equipment to enable you to sharpen the chain yourself. Please follow the corresponding operating instructions.

**Take care of your tools. Keep your tools sharp and clean to enable you to work well and safely. Follow the maintenance regulations and the instructions for changing tools.**

## 19. Starting up (Fig. 1)



**Always wear safety goggles, ear muffs, protective gloves and heavy-duty work clothes!**

Never use the chainsaw when standing on a ladder, in a tree or in any other instable places. Do not use above shoulder height and do not saw with one hand.

Use the saw only with approved extension cables with the prescribed insulation and connections for outdoor use (approved rubber-sheathed cables) which fit the machine plug. To switch on, hold the front handle with your left hand, then use your right hand to hold the rear handle.

**To switch on:** Press the power-on disable (4) with

your thumb, press the On/Off switch (B) and release the power-on disable (5) again.



If the chainsaw does not run, the chain brake must be released at the front finger guard (1). Be sure to read the sections „Chain brake“ and „Releasing the chain brake“ on this point.

**After switching on, the chainsaw will run immediately at high speed.**

**To switch off:** Release the ON/OFF switch (5). Only put down the chain saw after the chain has stopped rotating!

**After working with the chainsaw, you should always:** Clean the saw chain and chain bar. Attach the chain guard.

#### Machine protection



**Never use the machine in the rain or in damp conditions.**



**If the extension cable is damaged, pull the power plug immediately. Never work with a damaged cable.**

Check the machine for damage. Before using your tool again, check the safety devices or any slightly damaged parts to ensure that they are in good working order. Make sure the moving parts are working correctly. All the parts must be correctly assembled and meet all the conditions required to ensure that the machine works correctly. Any damaged safety devices and parts must be properly repaired or replaced immediately by a Customer Service workshop or the company ISC-GmbH, unless there are instructions to the contrary in this operating manual.

#### Notes on working practice

##### Kick-back

- When cross-cutting always set the claw stop against the timber you want to saw (see Fig. 4).
- Always set the claw stop before cross-cutting. Only then switch on the machine and start sawing into the wood. Pull the machine upwards at the rear and lead the direction with the front grip. Use the claw stop as a fulcrum. To reposition for further cutting, exert slight pressure on the front grip. Pull the saw back slightly during this process. Position the claw stop further down the cut and pull up the rear grip once again (see Fig.

- 5).
- Plunge cuts and horizontal cuts may only be carried out by professionals (high risk of kick-back; see Fig. 6).
- For horizontal cuts, position the saw at the smallest possible angle. This requires extreme caution, as the claw stop cannot be applied in this case.
- If the chain gets stuck when sawing with the upper side it may be thrust toward the operator. For this reason you should saw wherever possible with the bottom side, as the chainsaw will then be thrust away from the body towards the wood (see Fig. 7 and 8).
- When lopping off branches, the chainsaw should be supported wherever possible against the trunk. Do not cut with the tip of the chain bar (risk of kick-back; see Fig. 6).
- Watch out for trunks rolling towards you. Kick-back!
- The chainsaw is likely to recoil if the tip of the chain bar (especially the top quarter) accidentally touches wood or any other solid objects. In this case the saw will move uncontrollably and will be hurled towards the operator at full power (risk of injury!).



Fig. 6

**You can avoid accidents by not sawing with the tip of the chain bar as this may cause the saw to rear up suddenly. Always use the complete safety equipment and clothes when working with the saw.**



**Make sure your work piece is firmly secured.**

**Use clamps to stop the work piece from slipping. This also makes it easier to operate the machine with both hands.**

Kick-back will result in an uncontrollable motion of the saw. This represents the danger of severe injuries. **Never saw with a slack or blunt chain.** A poorly sharpened chain increases the risk of kick-back. Never saw above shoulder height.

## 20. Tips on chainsaw use

### Sawing up wood (See Fig. 4 and 5)

To saw up wood, please observe the safety regulations and proceed as follows: Make sure the wood to be sawed cannot slip. Clamp short pieces of wood in place before sawing. Saw only wood or wooden objects. When sawing, make sure that no stones or

nails are touched as these could be thrown out and damage the saw chain. Avoid bringing the running saw into contact with wire fences or the ground. When lopping off branches, support the machine as far as possible and do not saw with the tip of the chain bar. Watch out for obstacles such as tree stumps, roots, ditches and hillocks as these could cause you to fall.

#### Remember:

The chainsaw must be running **before** it comes into contact with the wood!

To switch on (Fig. 1): Press the safety lock-off (4) and ON/OFF switch (5). Place the lowest claw (13) on the wood. Raise the chainsaw by the rear grip (6) and saw into the wood. Move the chainsaw back a little and place the claw (13) further down. Pay extra attention when cutting splintered wood. Pieces of wood may be catapulted in any direction.

**To switch off:** Release the ON/OFF switch.

**Pull out the power plug.**



Remove the chainsaw from the wood only with the saw chain still running. Anyone who saws without a stop can be pulled forward.

#### Felling trees

**Felling trees is dangerous and requires practice. If you are a beginner or inexperienced, do not try to teach yourself but seek professional training.** (Fig. 12)

**To fell trees, observe all the safety regulations and proceed as follows:**

The chainsaw may be used to fell only trees which are smaller in diameter than the length of the chain bar. Never try to extract a jammed saw with the motor still running. If the saw chain gets jammed, release it using a wooden wedge.



#### Remember:

Danger zone: Falling trees can bring down other trees with them. The danger zone is therefore twice the length of the tree being felled. (Fig. 11)



#### Important:

Prior to cutting you must plan and provide for an escape area (A). This escape area must be located behind the expected felling direction (B) (Fig. 13).



#### Important:

Before performing the final cut, make sure there are no spectators, animals or obstacles in the felling path.

#### Felling direction:

- First estimate the direction of fall, taking into account the centre of gravity of the crown and the wind direction. The chainsaw must be running before it comes into contact with the wood. Switch on the chainsaw. Saw an undercut in the tree in the direction of fall and then make a horizontal cut (back cut) on the side opposite to the undercut.
- Make the undercut: This will give the tree direction and guidance.
- Check the direction of fall: If you have to correct the undercut, always recut over the entire width.
- Call out „Timber!“
- Only now make the back cut, which must be higher than the sole of the undercut. Insert wedges in good time.
- Leave the bridge in place as it will function as a hinge. If you cut through the bridge, the tree will fall randomly.
- Fell the tree by driving a wedge into the back cut, not by sawing through it.
- When the tree falls, step back and watch the crown. Wait for the crown to stop swinging. Do not continue working under branches which have got stuck.

#### Do not fell trees:

- if you can no longer distinguish details within the danger zone, e.g. owing to fog, rain, snow drifts or twilight,
- if the direction of fall cannot be reliably estimated owing to wind or gusts of wind. Felling work on sloping ground, black ice, frozen or dewy ground is safe only if you can get a firm foothold.

#### To switch off:

Pull the plug out of the power socket. To fell the tree, you must drive a wedge into the back cut. When retreating after making the back cut, watch out for falling branches.

#### Wood under tension



**Fig. 10.1: Top side of trunk under tension  
Danger: Tree will rear up!**

**Fig. 10.2: Bottom side of trunk under tension**

**Danger:** Tree will move downwards!

**Fig. 10.3:** Thick trunks and high tension

**Danger:** Tree will move suddenly and with immense force!

**Fig. 10.4:** Both sides of trunk under tension

**Danger:** Tree will move sideways!

### Maintenance and cleaning

**Always pull the plug out of the power socket before doing any work on the machine!**

Keep the cooling vents on the motor housing clean and unobstructed at all times. Only the maintenance work described in these operating instructions may be carried out. Any other maintenance work must be carried out by our Customer Service. Do not modify the chainsaw in any way as this could jeopardize its safety. Should the machine fail despite our careful manufacturing and inspection procedures, have it repaired by an authorized Customer Service workshop. In the event of any inquiries and spare parts orders, always quote the type designation and the 9-digit order number.

### 22. Troubleshooting

Fault	Cause	Remedy
Motor does not run	No electricity Chain brake	Check socket, cable and plug. Damaged cable: Have repaired by Customer Service. It is prohibited to patch the cable with insulating tape. Damaged switches have to be replaced by a Customer Service workshop. See section 16 and 17 „Chain brake“ and „Releasing the chain brake“.
Chain does not move	Chain brake	Check the chain brake, release if necessary.
Poor cutting performance	Blunt chain Chain wrongly fitted Chain tension	Sharpen the chain Check that the chain is fitted correctly Check the chain tension
Saw works only with difficulty Chain jumps off sword	Chain tension	Check the chain tension
Chain becomes hot	Chain lubrication	Check oil level Check chain lubrication

Never use tools with defective On/Off switches.

In the case of all other types of technical faults, please contact an authorized Customer Service workshop, our Central Service Department, or your local dealer.

### Storage

**Keep your chainsaw in a safe place.** The unused machine should be stored clean, on a flat surface and in a dry place which is inaccessible to children.

### 21. Ordering replacement parts

Please quote the following data when ordering replacement parts:

- Type of machine
- Article number of the machine
- Identification number of the machine
- Replacement part number of the part required

For our latest prices and information please go to [www.isc-gmbh.info](http://www.isc-gmbh.info)

### 1. Элементы устройства

- 1 Переднее устройство защиты для рук
- 2 Передняя рукоятка
- 3 Крышка бака
- 4 Устройство блокировки включения
- 5 Переключатель вкл-выкл
- 6 Задняя рукоятка
- 7 Сетевой кабель
- 8 Крепление кабеля
- 9 Кожух цепного зубчатого колеса
- 10 Защитная крышка
- 11 Направляющая шина
- 12 Пильная цепь
- 13 Зубчатый упор

### 2. Technische Daten

Номинальное напряжение	230 V ~ 50 Hz
Номинальная мощность	1800 W
Длина реза, макс.:	40 cm
Скорость резки при ном. оборота	13,5 m/s
Гарантированный уровень шума под нагрузкой	103 dB(A)

### 3. Значение табличек



1. Используйте средства защиты для головы, глаз и органов слуха
2. Внимание! Прочтите руководство по эксплуатации и следуйте предостерегающим указаниям и указаниям по технике безопасности
3. При повреждении кабеля вынуть сетевой штекер из розетки!
4. Защитить от влаги

#### 4. Указания по безопасности



При использовании машины необходимо соблюдать указания по безопасности. Пожалуйста, прочитайте эти указания для Вашей безопасности и безопасности других до использования машины. Тщательно храните эти указания для дальнейшего использования. Используйте цепную электропилу исключительно для пиления дерева (деревянных деталей). Любые другие виды использования проводятся на собственный риск и могут быть опасны. Производитель не берет на себя ответственность за повреждения, возникшие при применении не по назначению или неправильном использовании.

Указания по безопасности и предупреждение травм



Пожалуйста, прочитайте внимательно все руководство по эксплуатации перед первым пуском для избежания неправильного управления

цепной пилой. Все указания по управлению цепной пилой служат Вашей личной безопасности! Обратитесь к специалисту за практическими указаниями!

- Перед тем как отпустить тормоз цепи выключите устройство.
- Чтобы не допустить повреждения органов слуха используйте индивидуальное средство защиты от шума; преимущественно шлемы с защитой от шума.
- Во время работы обеспечьте устойчивое положение тела.
- Перед тем как положить машину ее необходимо выключить.
- Перед всеми работами на машине вынуть штекер из розетки.
- Штекер вставлять в розетку только при выключенной машине.
- С цепочной пилой может работать только один человек. Посторонним запрещено находиться в области работы цепочной пилы. Особое внимание обратите на детей и животных.
- При пуске пила должна стоять свободно без помех.
- При работе держите цепочную пилу обеими руками!
- Запрещено работать с цепочной пилой детям

и подросткам. Этот запрет не распространяется на находящимся на обучении молодых людей старше 16 под наблюдением взрослых. Пилу разрешается давать (напрокат) только тем, кто знаком с устройством этого типа и может с ним работать. Каждый раз прилагайте руководство по эксплуатации!

- Работать с цепочной пилой можно только отдохнувшим и здоровым, а именно в хорошем физическом состоянии. Если вы устали от работы, то вовремя сделайте паузу. Запрещено работать с цепочной пилой после приема алкоголя.
- Если машина временно не используется, то ее необходимо установить таким образом, чтобы она не представляла ни для кого опасности.
- При каждом пилении прочно упереть зубчатый упор, только затем можно начинать пилить.
- Сетевой кабель всегда прокладывать сзади от работающего.
- Кабель всегда прокладывать назад от машины.
- Использовать только оригинальные принадлежности.
- Устройства, используемые вне помещений, должны подключаться через автомат защитного тока утечки.
- Удлинительный кабель вне помещений: вне помещений используйте только допущенный для этого и имеющий соответственные маркировки удлинительный кабель.
- Используйте при пилении распиленного лесоматериала и тонкой древесины надежную опору (козлы, рис. 4). Запрещено укладывать пиломатериал штапелем друг друга, запрещено удерживать его ногами, а также запрещено удерживать пиломатериалы другим лицам.
- Кругляк необходимо зафиксировать.
- При работе на наклонной поверхности необходимо всегда стоять лицом к подъему.
- Пилу вынимать из дерева только с вращающейся цепью пилы.
- При осуществлении нескольких разрезов необходимо выключать электропилу между распилами.
- Будьте осторожны при резке расщепленной древесины. Отпиленные куски дерева может отбросить в сторону (опасность получения травмы!).
- Запрещено использовать электрическую цепную пилу для подъема и расчистки при удалении частей древесины и прочих предметов.

- Удаление веток могут осуществлять только обученные пользователи! Опасность получения травмы!
- Необходимо обязательно обратить внимание на находящимся под напряжением ветки. Запрещено спиливать снизу свободно свисающие ветки.
- При удалении веток запрещено стоять на стволе.
- Запрещено использовать электропилу для работы в лесном хозяйстве - а именно для валки деревьев и удаления веток в лесу. Необходимо в таких случаях маневренность и безопасность работающего с пилой не может быть обеспечена из-за наличия кабельного соединения!
- При валке деревьев необходимо стоять только сбоку от падающего дерева.
- При отходе назад после осуществления основного пропила при валке необходимо следить за падающими ветками.
- При работах на склоне работающий с пилой должен находиться выше или сбоку от обрабатываемого ствола или лежащего дерева.
- Для обеспечения безопасности при повреждении соединительного кабеля он должен быть заменен изготовителем или его сервисной службой.

Для избежания отдачи соблюдать следующее:

- Не упираться передним концом направляющей в пропил! Внимательно следить за передним концом ведущей.
- Никогда не пилить передним концом ведущей! Осторожно при возобновлении пиления раннее начатого пропила.
- Начинать пиление с двигающейся пильной цепью!
- Всегда правильно заточивать пильную цепь.
- Никогда не пилить несколько сучьев за один раз! При отпиливании сучьев внимательно следить, чтобы не задеть другие сучья.
- При распиливании внимательно следить за плотно лежащими рядом стволами. По возможности использовать козел.

#### 5. Транспортировка цепной пилы

При транспортировке цепной пилы вытащить сетевой штекер и надвинуть защиту цепи на направляющую и цепь. Если производятся несколько пропилов, то необходимо пилу между пропилами выключать.

Необходимо учесть, что наши устройства согласно предписанию не рассчитаны для использования в промышленной, ремесленной

или индустриальной области. Мы не предоставляем гарантий, если устройство будет использоваться в промышленной, ремесленной или индустриальной, а также подобной деятельности.

#### 6. Перед первым пуском

Напряжение источника питания совпадает с данными на типовой табличке устройства. Перед каждым началом работы необходимо проверить цепочную пилу на правильность работы и предписанную надежность в эксплуатации. Перед началом работы проверить работу смазки цепи и уровень масла (смотрите рисунок 9). Если масло находится на уровне примерно 5 мм до нижнего края (на рисунке обозначено "мин"), то нужно обязательно долить масло. При уровне масла выше этой отметки обеспечена надежность работы. Включить цепочную пилу и поддержать над светлой поверхностью. Осторожно, цепочная пила не должна касаться поверхности; поэтому выдерживайте безопасное расстояние до пола примерно 20 см, если появится постоянно увеличивающийся след масла, то смазка цепи работает нормально. Если не появится след масла, то необходимо прочистить канал подачи масла или обратиться в сервисное бюро обслуживания.

#### 7. Сборка направляющей шины и цепочной пилы (смотрите рисунки 1/2/3)

Штекер не должен находиться в электрической розетке.

**- Внимание! Переднее устройство защиты для рук (1) должно всегда находиться в верхней (вертикальной) позиции.**

Направляющая шина и пильная цепь находится при покупке в несобранном состоянии. Для сборки вначале снять защитную крышку (10), вывинтить находящийся под ней 6-тигранный винт и удалить кожух цепи (9). Для предотвращения травм от острых кромок необходимо во время сборки, натяжения цепи и завершающей проверки использовать перчатки. **Прежде чем Вы установите направляющую шину с пильной цепью, необходимо определить направление резания зубьев (смотрите рисунок 2)!** Держите направляющую шину (11) острием вертикально вверх и наложите пильную цепь (12) начиная с переднего конца направляющей. Затем смонтируйте направляющую шину и пильную цепь следующим образом:

Наложите направляющую шину с пильной цепью на направляющую ножа (B) или на стяжную



шпильку цепи (А), Уложить пильную цепь вокруг зубчатого колеса (D) и проверить правильность установки цепи (смотрите рисунок 2/поз. 12), Установить кожух (9) и закрепить слегка 6-тигранной гайкой.

### 8. Натяжение пильной цепи

**Перед всеми работами на машине необходимо вынуть штекер из розетки!**

**Используйте защитные перчатки!**

Следите за тем, чтобы пильная цепь (12) лежала в направляющем пазе шины (11)! Теперь нужно правильно натянуть цепь при помощи вращения винта натяжения цепи (Е) по часовой стрелке (вращением против движения часовой стрелки можно ослабить натяжение цепи). В завершении 6-тигранную гайку крепко затянуть. Еще раз проверьте натяжение цепи (смотрите рис. 10). Не натягивайте **цепь пилы слишком сильно**. Натяжение цепи должно в холодном состоянии устройства в середине направляющей шины позволить поднять ее примерно на 3 мм. При нагревании пильная цепь растягивается и провисает. Возникает опасность соскока цепи пилы. При необходимости нужно усилить натяжение. Если натяжении цепи пилы было увеличено в нагретом состоянии, то необходимо после окончания работ обязательно ослабить натяжение. В противном случае при охлаждении цепь пилы уменьшится в объеме и возникнет большое механическое напряжение. Время приработки новой цепи пилы составляет примерно 5 минут. очень важно, чтобы цепь была смазана в достаточной степени! После приработки проверьте натяжение цепи и при необходимости увеличьте натяжение.

### 9. Заливка цепного масла (смотрите рисунок 9)

Очистить крышку масляного бака (3) перед тем как ее открыть для того, чтобы избежать загрязнения бака. Контролируйте содержание масляного бака во время работы с пилой по показателю уровня масла (А). Крышку масляного бака (3) хорошо закрыть и вытереть перелившееся масло.

### 10. Смазывание цепи

Для предохранения от быстрого износа пильная цепь и направляющая шина должны равномерно смазываться во время работы. Смазывание осуществляется автоматически. Никогда не работать без смазки цепи. При сухой двигающейся цепи сильно повреждается все режущее устройство за очень короткое время. По этому проверять перед каждым началом работы смазку цепи и уровень масла (рис. 9).

Никогда не пользоваться пилой, если уровень масла находится ниже минимальной отметки, (рис. 9)

- Минимум - если уровень масла наблюдается только около 5 мм на нижнем крае показателя уровня масла, необходимо долить масло.
- Максимум - залить масло, до заполнения смотрового окна .

### 11. Проверка автоматической подачи масла

Перед началом работы проверьте работоспособность устройства смазки цепи и уровень масла. Включить цепочную пилу и держать ее над светлой поверхностью. осторожно , цепочная пила не должна касаться поверхности; для этого выдерживайте безопасное расстояние примерно 20 см. Если появится все время увеличивающееся масляное пятно, то система смазки цепи работает нормально. Если **масляного пятна не появится**, то прочистите канал подачи масла или обратитесь в службу сервиса.

### 12. Смазочное масло для цепи

Продолжительность службы пильной цепи и направляющей шины зависит в большей степени от качества применяемого смазочного масла для цепи. Не применяйте старое масло! Используйте только не вредящее окружающей среде смазочное масло для цепи. Смазочное масло для цепи хранить в только для этого, указанных предписанием, емкостях.

### 13. Направляющая шина

На месте изменения направления, а также на нижней части направляющей шины цепь изнашивается особенно быстро. Для того, чтобы избежать износа необходимо переворачивать направляющую шину после каждой заточки цепи.

### 14. Цепное зубчатое колесо

Нагрузку, приходящаяся на зубчатое колесо (рис. 2/поз. D), является особенно высокой, если на зубьях появятся следы сильного износа, то его нужно непременно заменить. Изношенное зубчатое колесо сокращает срок службы пильной цепи. Зубчатое колесо заменить в специализированном магазине или в сервисном бюро обслуживания.

### 15. Защита цепи

Сразу же после окончания работы, а так же при транспортировке надеть на цепь и нож защиту цепи.

### 16. Тормоз цепи

При ударной отдаче цепи на передней защите рук (1) срабатывает тормоз цепи. Тыльная сторона кисти давит вперед переднюю защиту рук (1). Благодаря этому тормоз цепи полностью останавливает цепную пилу и соответственно мотор пилы в течении 0,10 сек.

### 17. Снятие цепи с тормоза

Для возвращения пилы в рабочее состояние необходимо отпустить блокировку пильной цепи. Сначала отключить машину. Затем переднюю защиту рук (1) откинуть назад в начальную вертикальную позицию до плотной фиксации. Тем самым цепной тормоз приводится снова в рабочее состояние.

### 18. Заточка пильной цепи

В специализированном магазине Вам подточат Вашу пильную цепь быстро и аккуратно. Вы можете приобрести в специализированном магазине приспособления для заточки цепи (напильниковый инструмент), при помощи которого Вы можете сами наточить Вашу пильную цепь. Следуйте, пожалуйста, соответствующему руководству по эксплуатации.

Тщательно ухаживайте за Вашим инструментом. Держите Ваши инструменты в наточенном и чистом состоянии для хорошей и надежной работы. Соблюдайте предписания по техобслуживанию и указания по замене инструмента.

### 19. Первый пуск (рисунок 1)



**При работе всегда используйте защитные очки, средства защиты органов слуха, защитные перчатки и прочную одежду!**

Запрещено работать, стоя на лестнице, на дереве или прочих нестабильных поверхностях. Запрещено пилить выше уровня плеча, а также работать одной рукой.

Для пилы используйте только имеющий допуск удлинительный кабель с предписанной толщиной изоляционного слоя и соединительные зажимы для работы вне помещений (имеющий допуск прорезиненный кабель), соответствующий штекеру устройства. При включении левая рука удерживает переднюю рукоятку, правая рука удерживает заднюю рукоятку.

Пуск: нажать большим пальцем устройство

блокировки включения (4), нажать переключатель вкл-выкл (В) и вновь отпустить кнопку блокировки включения (5).

Если цепочная пила не запускается, то необходимо при помощи переднего устройства защиты рук (1) разблокировать тормоз цепи. Более подробную информацию прочтите обязательно в разделах "Тормоз цепи" и "Разблокировка тормоза цепи".

**И** Сразу после включения цепочная пила начинает работать с большой скоростью.

**Выключение:** отпустите переключатель включения / выключения (5). Ставьте цепочную пилу на землю только после того как перестанет двигаться цепь! После каждой работы с цепочной пилой необходимо: очистить пильную цепь и направляющую шину. Установить защиту цепи.

### Защита устройства



Запрещается использовать устройство под дождем или во влажной среде.



При повреждении удлинительного кабеля немедленно вынуть штекер из розетки. Запрещено вновь использовать поврежденный кабель.

Проверяйте Ваш инструмент на повреждения. Перед использованием инструмента проверить устройства защиты и возможно слегка поврежденные части на безукоризненную и согласно предписанию работу. Проверьте правильно ли работают подвижные части. Для обеспечения безукоризненной работы машины все части должны быть правильно смонтированы и отвечать всем требованиям. Поврежденные защитные устройства и детали должны быть сразу компетентно отремонтированы в мастерской сервиса или ISC-GmbH или заменены если в руководстве по эксплуатации нет других указаний.

### казания по работе

#### Отдача пилы

- При поперечных распилах необходимо упирать зубчатый упор в распиливаемую древесину ( смотрите рис. 4).
- Перед каждым поперечным распилом упереть прочно зубчатый упор, затем начинать пиление древесины с вращающейся

цепью пилы. При этом приподнять пилу за заднюю рукоятку и вести ее при помощи передней рукоятки. Зубчатый упор служит в качестве точки вращения. Продолжение пиления осуществляется легким давлением на переднюю рукоятку. При этом нужно оттянуть пилу слегка назад. Зубчатый упор вдавить глубже и вновь потянуть заднюю рукоятку вверх (смотрите рис. 5).

- Прошивающий и продольные пропилы разрешается осуществлять только специально обученным персоналом (повышенная опасность возникновения отдачи; смотрите рис. 6).
- Продольный рез осуществлять под как можно меньшим углом. При этом нужно работать особенно осторожно, так как зубчатый упор не должен быть использован.
- Электрическая цепочная пила может быть во время пиления при заклинивании цепи пилы отброшена верхней частью шины в сторону работающего с ней человека. Поэтому по возможности осуществляйте пиление нижней частью шины, так как пилу в этом случае будет тянуть от работающего в сторону распиливаемого предмета (смотрите рис. 7 и 8).
- При удалении веток по возможности опирайте электрическую цепочную пилу о ствол. При этом запрещено пилить концом шины (опасность возникновения отдачи; смотрите рис. 6).
- Держите под контролем катящиеся на вас стволы деревьев. Возможна отдача!
- Отдача цепочной пилы может возникнуть если конец шины (особенно ее верхняя четверть) прикасается случайно к древесине или другим жестким предметам. Электропила при этом будет неконтролируемо с большой силой отброшена в сторону работающего с ней человека (Опасность получения травмы!!).



Рис. 6

Вы предохраните себя от травм, которые могут быть нанесены пилой, если вы не будете пилить концом шины, так как при этом пила может быть отброшена с высокой скоростью. При работе с пилой используйте полностью все защитные приспособления.



Закрепляйте прочно обрабатываемый предмет. Для того, чтобы зафиксировать обрабатываемый предмет используйте устройства

зажима. Это позволит надежно работать с пилой обеими руками.

После отдачи нет возможности контролировать движение пилы. По этой причине возникает опасность получения тяжелых травм.

**Запрещено пилить с ослабленным натяжением пилы и притупленной цепью.** Неправильно осуществленная заточка цепи повышает вероятность возникновения отдачи. Запрещено пилить выше уровня плеч.

## 20. Советы по применению

### Распилка древесины

(смотри рис. 4 и 5)

**Соблюдайте все указания по безопасности и действуйте при распиливании древесины следующим образом:**

Надежно положить древесину. Короткие чурбаки закрепить до пиления при помощи зажима. Пилить только древесину или деревянные предметы. При пилении внимательно следить, чтобы не задеть камни, гвозди и т.п. Они могут отлететь, а так же повредить цепную пилу. Избегайте контакта работающей пилы с проволочными заборами или землей. При отпиливании сучьев, по возможности, опереть машину. При этом запрещено пилить передней концом направляющей. Тщательно следите за помехами, такими как пеньки, корни, ямы и бугры - опасность споткнуться!

### Внимание:

Цепочная пила непосредственно перед касанием пиломатериала должна двигаться! Включить (рисунок 1): нажать блокиратор включения (4) и переключатель включено/выключено (5). Упереть нижний захват (13) в пиломатериал. Потянуть цепочную пилу за заднюю рукоятку (6) вверх и начать пиление пиломатериала. Оттянуть цепочную пилу немного назад и вдавить захват (13) глубже. Во время пиления будьте осторожны с разлетающимися частями пиломатериала. Части пиломатериала могут быть вырваны. Включить: отпустить переключатель включено/выключено.

Вынуть штекер из розетки.



Цепочную пилу вытягивают из древесины только с двигающейся цепью пилы. При пилении без упора пила может резко потянуть вперед.

## Валка деревьев

**Валка леса опасна и требует обучения. Запрещено заниматься валкой леса начинающим или необученным людям! Пройдите сначала обучение. (Рис. 12)**

**Соблюдайте все предписания по безопасности и действуйте при валке леса следующим образом:**

Цепной пилой разрешено пилить только те деревья, диаметр стволов которых меньше чем длина направляющей шины! Запрещено пытаться освободить зажатую цепную пилу работающим мотором. Зажатую цепную пилу освободить при помощи деревянного клина!



### Обратите внимание:

**Зона опасности:** падающие деревья могут увлечь за собой другие деревья, поэтому зоной опасности (зоной валки дерева) считается двойная длина дерева. (Рис. 11)



### Внимание:

Перед пилением необходимо определить и освободить место для отхода на безопасной расстоянии (А). Место для отхода на безопасное расстояние должно быть направлено в обратную сторону от ожидаемого направления падения ствола (В) (рис. 13)



### Внимание:

Перед осуществлением окончательного пропила убедитесь, что в области падения ствола не находятся люди, животные или какие-либо предметы.

### Направление падения:

- Заранее вычислить направление падения, учитывая центр тяжести кроны дерева и направление ветра. Цепная пила должна непосредственно перед соприкосновением с древесиной находиться в движении. Включить цепную пилу. В направлении падения сделать надпил. На противоположной надпилу стороне пропилить горизонтальный надрез (основной пропил).
- Произвести подпил - он задает дереву направление.
- Перепроверить направление падения: Если Вам нужно исправить подпил, то необходимо всегда допиливать по всей ширине.

- Крикнуть: гВнимание, дерево падаетг.
- И только теперь произвести основной пропил: он проводится выше чем нижний подпил. Вовремя ввести клинья.
- Оставить недопил: он действует в качестве шарнира. Если Вы перепилите недопил, то дерево упадет без контроля.
- Дерево расклинить, а не спиливать.
- Когда дерево начнет падать, отойдите назад. Наблюдать за областью кроны дерева. Дождаться пока кроны деревьев перестанут раскачиваться. Не работать под зацепившимися ветками.

### Не валите деревья:

- если вы не можете хорошо различить отдельные предметы, например при тумане, дожде, снегопаде или при рассвете и сумерках.
- если не возможно точно задать направление падения дерева из-за слабого или сильного ветра. Работу по валке леса на крутом склоне, на льду, на подмороженной или твердой земле проводить только в том случае, если вы можете устойчиво стоять.

### Выключение: Вытянуть сетевой штекер.

Для валки дерева Вам необходимо в завершении загнать клин в горизонтальный пропил. При отходе назад, после нанесения основного пропила, обратить внимание на падающие ветки.

### Дерево под напряжением



**Рис. 10.1: Ствол под напряжением в верхней части**  
**Опасность: дерево может ударить вверх!**

**Рис. 10.2: Ствол под напряжением в нижней части**  
**Опасность: дерево может ударить вниз!**

**Рис. 10.3: Толстый ствол и большое напряжение**  
**Опасность: дерево вышибает молниеносно с огромной силой!**

**Рис. 10.4: Ствол под напряжением сбоку**  
**Опасность: дерево может вышибить на эту сторону.**

### Уход и очистка

Перед всеми работами на машине вытаскивать штекер из розетки!  
Вентиляционные отверстия держать открытыми и

чистыми. На цепной пиле разрешается проводить только работы по уходу, которые описаны в руководстве по эксплуатации. Дальнейшие работы должны проводиться сервисом. Запрещается производить какие либо изменения на цепной пиле. Этим Вы подвергаете себя опасности. Если машина, не смотря на точное изготовление и тщательную проверку, не работает, то необходимо сдать машину в ремонт авторизированной мастерской сервисного обслуживания. Пожалуйста, указывайте название типа и девятизначный №-заказа а так же идент-№, если у Вас есть вопросы или Вы хотите заказать запасные детали.

#### Хранение

##### Храните надежно Вашу цепную пилу

Не используемые инструменты хранить в очищенном состоянии, на ровной поверхности, в сухом помещении и в недоступном для детей месте.

#### 22. Устранение неисправностей

Неисправность	Причина	Устранение
Мотор не работает	Нет питания сети  Тормоз цепи	Проверить розетку, кабель, проводку, штекер. Повреждение кабеля: сдать на ремонт в бюро обслуживания. Запрещено ремонтировать кабель изолянтной. Поврежденные выключатели необходимо заменить в обслуживающей мастерской. смотри раздел 16 и 17 гТормоз цепи г и гРазблокировка тормоза цепиг
Цепь не двигается	Тормоз цепи	Проверить тормоз цепи, при необходимости разблокировать.
Недостаточная производительность пиления	Тупая цепь Цепь смонтирована неправильно	Натяжение цепи Наточить цепь Проверить правильность монтажа цепи
Проверить натяжение цепи Цепь двигается плохо	Цепь соскакивает с ножа	Натяжение цепи Проверить натяжение цепи
Цепь нагревается (сохнет)	Смазка цепи	Проверить уровень масла Проверить смазку цепи

Не использовать инструмент у которого переключатель не включается и не выключается.  
При всех остальных неисправностях обратитесь в авторизованную мастерскую сервисного обслуживания, в наш центральный сервис или к Вашему продавцу.

#### 21. Заказ запасных частей

При заказе запасных частей необходимо привести следующие данные:

- Модификация устройства
- Номер артикула устройства
- Идентификационный номер устройства
- Номер запасной части требуемой для замена детали

Актуальные цены и информация находятся на сайте [www.isc-gmbh.info](http://www.isc-gmbh.info)