

**INSTRUCTIONS MANUAL
ИНСТРУКЦИЯ ПО ЭКСПЛУАТАЦИИ
BEDIENUNGSANLEITUNG**

**WELDING INVERTERS
СВАРОЧНЫЕ ИНВЕРТОРЫ
SCHWEISSINVERTER**

EW2800, EW3500, EW4400



**PLEASE READ THESE INSTRUCTIONS BEFORE INSTALLING,
OPERATING, OR SERVICING THIS PRODUCT.**

DO NOT DESTROY THIS MANUAL.

**ПОЖАЛУЙСТА, ВНИМАТЕЛЬНО ПРОЧИТАЙТЕ ДАННУЮ
ИНСТРУКЦИЮ ПЕРЕД УСТАНОВКОЙ, ЭКСПЛУАТАЦИЕЙ И
ТЕХНИЧЕСКИМ ОБСЛУЖИВАНИЕМ АППАРАТА.**

СОХРАНИТЕ ИНСТРУКЦИЮ.

**LESEN SIE DIESE ANLEITUNG VOR DER INSTALLATION, DEM
BETRIEB ODER DER WARTUNG DIESES PRODUKTS.**

NICHT ZERSTÖREN SIE DIESES HANDBUCH



SMALTIMENTO DI APPARECCHI DA ROTTAMARE DA PARTE DI PRIVATI NELL'UNIONE EUROPEA

Questo simbolo che appare sul prodotto o sulla confezione indica che il prodotto non deve essere smaltito assieme agli altri rifiuti domestici.

Gli utenti devono provvedere allo smaltimento delle apparecchiature da rottamare portandole al luogo di raccolta indicato per il riciclaggio delle apparecchiature elettriche ed elettroniche. La raccolta ed il riciclaggio separati delle apparecchiature da rottamare in fase di smaltimento favoriscono la conservazione delle risorse naturali e garantiscono che tali apparecchiature vengano rottamate nel rispetto dell'ambiente e della tutela della salute. Per ulteriori informazioni sui punti di raccolta delle apparecchiature da rottamare, contattare il proprio comune di residenza, il servizio di smaltimento dei rifiuti locale o il negozio presso il quale è stato acquistato il prodotto.

DISPOSAL OF WASTE EQUIPMENT BY USERS IN PRIVATE HOUSEHOLDS IN THE EUROPEAN UNION

This symbol on the product or on its packaging indicates that this product must not be disposed of with your other household waste.

Instead, it is your responsibility to dispose of your waste equipment by handing it over to a designated collection point for the recycling of waste electrical and electronic equipment. The separate collection and recycling of your waste equipment at the time of disposal will help to conserve natural resources and ensure that it is recycled in a manner that protects human health and the environment. For more information about where you can drop off your waste equipment for recycling, please contact your local city office, your household waste disposal service or the shop where you purchased the product.

ENTSORGUNG VON ELEKTROGERÄTEN DURCH BENUTZER IN PRIVATEN HAUSHALTEN IN DER EU

Dieses Symbol auf dem Produkt oder dessen Verpackung gibt an, dass das Produkt nicht zusammen mit dem Restmüll entsorgt werden darf. Es obliegt daher Ihrer Verantwortung, das Gerät an einer entsprechenden Stelle für die Entsorgung oder Wiederverwertung von Elektrogeräten aller Art abzugeben (z.B. ein Wertstoffhof). Die separate Sammlung und das Recyceln Ihrer alten Elektrogeräte zum Zeitpunkt ihrer Entsorgung trägt zum Schutz der Umwelt bei und gewährleistet, dass sie auf eine Art und Weise recycelt werden, die keine Gefährdung für die Gesundheit des Menschen und der Umwelt darstellt. Weitere Informationen darüber, wo Sie alte Elektrogeräte zum Recyceln abgeben können, erhalten Sie bei den örtlichen Behörden, Wertstoffhöfen oder dort, wo Sie das Gerät erworben haben.

IMPORTANT

CAREFULLY READ THE FOLLOWING INSTRUCTIONS BEFORE INSTALLING THE UNIT AND MAKE SURE THAT THE YELLOW AND GREEN GROUNDING CONDUCTOR IS DIRECTLY CONNECTED TO THE GROUND IN THE WELDING LOCATION./

THE UNIT MUST NEVER BE OPERATED WITHOUT PANELS AS THIS COULD BE DANGEROUS FOR THE OPERATOR AND COULD CAUSE SERIOUS DAMAGE TO THE EQUIPMENT.

THE UNIT WORKS ONLY WITH INPUT VOLTAGE OF 230Vac -50 Hz-1Ph.

THE INPUT CABLE IS ENERGIZED EVEN WHEN THE MAIN SWITCH IS ON THE "0" POSITION. THEREFORE, BEFORE SERVICING THE EQUIPMENT, MAKE SURE THAT THE 2 POLE PLUG IS DISCONNECTED FROM THE LINE SOCKET.

THIS WELDER CAN BE USED ONLY WITH DIESEL GENERATING SETS WITH POWER HIGHER THAN 6 KVA AT 220 V 50 HZ. (except for units supplied at 110V)

1.0 INTRODUCTION

1.1 EQUIPMENT IDENTIFICATION

The unit's identification number (specification or part number) model, and serial number usually appear on a nameplate attached to the rear panel. Equipment which does not have a control panel such as gun and cable assemblies is identified only by the specification or part number printed on the shipping container. Record these numbers for future reference.

1.2 RECEIPT OF EQUIPMENT

When you receive the equipment, compare it with the invoice to make sure it is complete and inspect the equipment for possible damage due to shipping. All machines dispatched have been scrupulously checked. However, should your machine not work properly, consult the section on TROUBLE SHOOTING in this manual. If the fault persists, consult your authorized dealer.

2.0 SAFETY WARNING

2.1 GENERAL INSTRUCTIONS

This manual contains all the necessary instructions for:

- the installation of the equipment;
 - a correct operating procedure;
 - an adequate maintenance of the equipment.
- Therefore, be sure this manual is carefully read and understood by the maintenance and technical operators.

2.2 LOCATION

Welding processes of any kind can be dangerous not only to the operator but to any person situated near the equipment if safety and operating rules are not strictly observed.

Therefore the owner and the operator must be aware of all possible risks so that they may take the necessary safety precautions to avoid any kind of accident at work.

The main precautions to be observed are:

- Operators should protect their body by wearing non flammable, close fitting protective clothing, without pockets or turned-up trousers. Oil or grease should be carefully removed from all articles, before wearing. Operators should also wear closed safety boots with steel toe caps and with rubber soles (Fig. 1).

1. Leather gloves
2. Leather aprons
3. Shoes Cover
4. Security shoes
5. Face mask

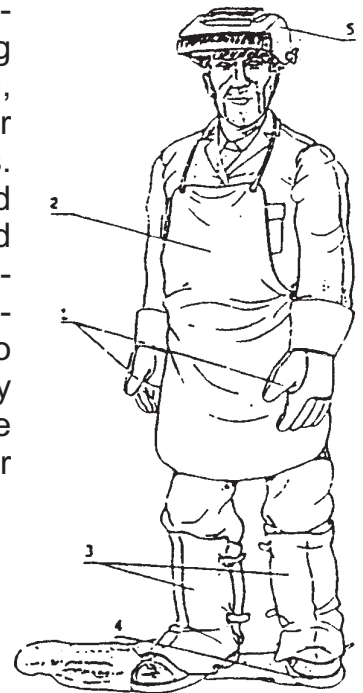


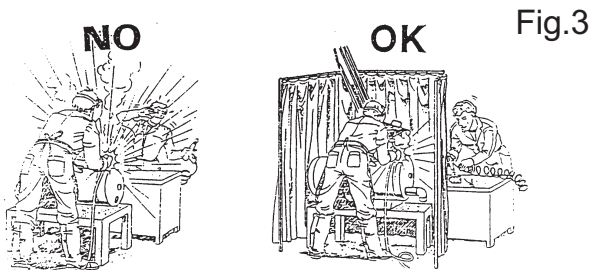
Fig.1

- Operators should wear a non-flammable welding helmet or face shield designed so as to shield the neck and the face, also on the sides. The helmet or the face shield should be fitted with protective glasses adequate to the welding process and current used. Glass screens must always be kept clean, and immediately replaced if they are broken or cracked (Fig.2). It is good practice to install a pane of transparent glass on top of the adiacinic glass, between it and the

welding area. This pane can be frequently replaced when incandescent spatters and deposits greatly reduce visibility. When working with coated plates that emit toxic fumes when heated, use an air-supplied respirator. Fig.2



- Welding should be done in a closed area that does not open onto other working areas, in order to protect all workers against radiation and fumes. If such an area cannot be provided, the welding area must be delimited by protective screens painted in opaque black large enough to restrain the visibility of any person situated near the area (Fig. 3).



- Remove all chlorinated solvents from the welding area before welding. Certain chlorinated solvents decompose when exposed to ultraviolet radiation to form phosgene gas.
 - Never, under any circumstances, look at an electric arc without suitable eye protection (Fig. 4).



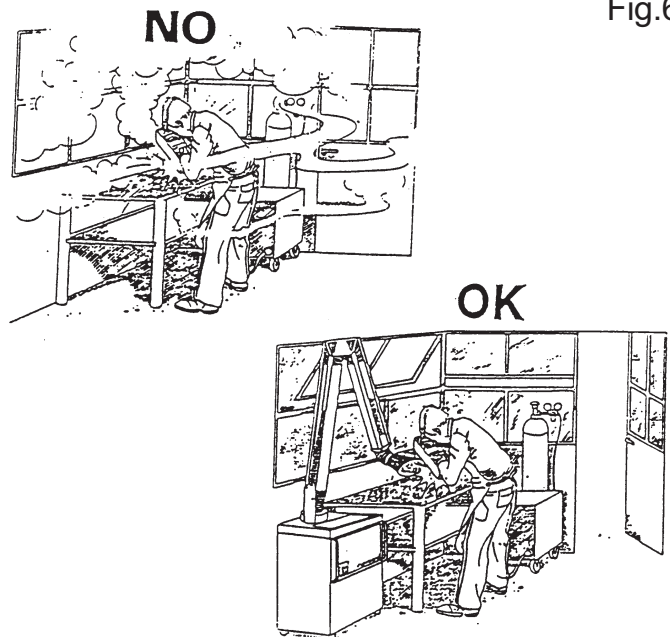
- Always wear protective goggles with transparent lenses to prevent splinters or other foreign particles from harming the eyes (Fig. 5).

Fig.5



- Adequate local exhaust ventilation must be used in the area. It should be provided through a mobile hood or through a built-in system on the workbench that provides exhaust ventilation from the sides, the front and below, but not from above the bench so as to avoid raising dust and fumes. Local exhaust ventilation must be provided together with adequate general ventilation and air circulation, particularly when work is done in a confined space. (Fig.6). Any symptom of stain or soreness to the eyes, the nose or the throat may be caused by inadequate ventilation; work must be stopped immediately and all necessary steps must be taken to provide adequate ventilation.

Fig.6



- Welding process must be performed on metal coatings thoroughly cleaned from layers of rust or paint, to avoid production of harmful fumes. The parts degreased with a solvent must be dried before welding.
 - Do not weld metal or painted metal containing zinc, lead, cadmium or beryllium unless the operator, or anyone else subjected to the fumes, is wearing respiratory equipment or an air-supplied helmet.

- Technical and sanitary protection of all welding operators-directly or indirectly involved in welding processes is provided by the regulations in force for sanitation and prevention of employment related injuries.

2.3 SAFETY INSTRUCTIONS

For your safety, before connecting the source to the line, closely follow these instructions:

- an adequate two-pole switch must be inserted before the two-pole main outlet; this switch must be equipped with time-delay fuses and it must match the data specified in the chapter "Technical Specification";

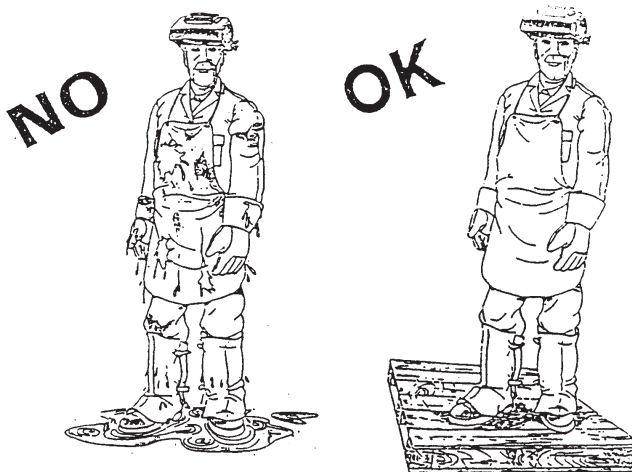
- the mono-phase connection with ground must be made with a two-pole plug compatible with the above mentioned socket;

- two wires of the two-pole input cable are used for the connection with the mono-phase line and the yellow-green wire for the compulsory connection to the ground in the welding location;

- connect all the metal parts which are near the operator in the welding location by using cables bigger or of the same cross section of the welding cable to a ground terminal;

- when working in a confined space, the power source must be kept outside the welding area and the ground cable should be welded to the workpiece; do not work in a damp or wet area in these conditions (Fig. 7).

Fig.7



- do not use damaged welding or input cables (Fig. 8);

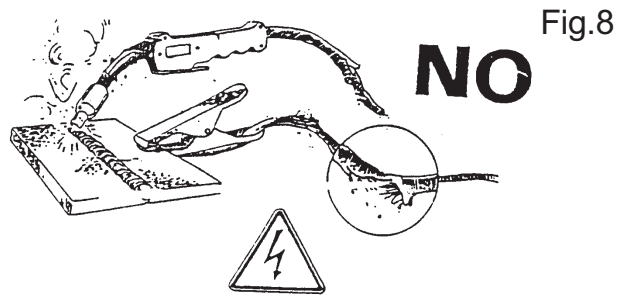


Fig.8

- the operator should never touch, with any part of his body, high temperature or electrically hot metal parts (Fig. 9);

Fig.9



- the operator should never wind the welding cables around his body;

- the welding gun should never be pointed at the operator or at another person. The power source has a protection level IP 22; therefore, it prevents:

- any manual contact with hot or moving internal parts;

- the insertion of any solid body with more than 12mm diameter;

- protected against vertically falling drops of water (condensation) with inclination max of 15°.

The source must never be operated without its panels; this could cause serious injury to the operator and could damage the equipment itself.

2.4 FIRE PREVENTION

The working area should conform to the Safety Regulations, and therefore, fire extinguishers should be provided in the area and walls, ceiling and floor should be non-flammable. All combustible material must be moved from the welding area (Fig. 10). If combustibles cannot be moved, they must be protected with fire-resistant cover. Ventilate potentially flammable atmospheres before welding. Never operate in an atmosphere which contains heavy concentrations of dust, flammable gas or combustible liquid vapor. The power source must be located in a safe area with a firm and flat floor; it should not be put against a wall. Do not weld containers in which fuel, lubricant or any other flammable material have been stored. After having com-

pleted your work, always check that the area is free of glowing or smoldering material.

Fig.10



2.5 SHIELDING GAS

Use the correct shielding gas for the welding process. Be sure that the regulator/flowmeter mounted on the cylinder is working well.

Remember to keep away the cylinder from any source of heat.

2.6 PERMITTED NOISE LEVELS 86/188/EEC RULE.

Under normal circumstances the equipment used for electric arc welding does not exceed the permitted 80 dBA. However in certain conditions eg. high welding parameters in confined spaces, noise levels may exceed the permitted level. For this reason it is strongly recommended that operatives wear appropriate ear protection.

2.7 ELECTROMAGNETIC COMPATIBILITY.

Before installing the STICK/TIG welding unit, carry out an inspection of the surrounding area, observing the following guidelines:

- 1- Make sure that there are no other power supply cables, control lines, telephone leads or other equipment near the unit.
- 2- Make sure that there are no radio receivers or television appliances.
- 3- Make sure there are no computers or other control systems.
- 4- Make sure that there is no-one with a pacemaker or hearing aid in the area around the unit.
- 5- Check the immunity of any other equipment operating in the same environment.

In certain cases additional protective measures may be required.

Interference can be reduced in the following ways:

- 1- If there is interference in the power supply line, an E.M.C. filter should be inserted

between the mains and the unit.

2- The output cables of the unit should be shortened; these should be kept close together and stretched along the ground.

3- All the panels of the unit should be correctly closed after carrying out maintenance.

2.8 Medical and first aid treatment

First aid facilities and a qualified first aid person should be available for each shift for immediate treatment of electrical shock victims. A medical facility should be close by for immediate treatment of flash burns of the eye and skin burns.

EMERGENCY FIRST AID:

Call physician and ambulance immediately.

Use First Aid techniques recommended by The Red Cross.

DANGER: ELECTRIC SHOCK CAN BE FATAL




If person is unconscious and electric shock is suspected, do not touch the person if he or she is in contact with welding equipment, or other live electrical parts. Disconnect (open) power at wall switch and then use First Aid. Dry wood, wooden broom, or other insulating material can be used to move cables, if necessary, away from the person.

3.0 BRIEF INTRODUCTION

Your welder belongs to a range of welding inverters for MMA - Manual Metal Arc Welding that adopts the latest pulse width modulation (PWM) technology and the insulated gate bipolar transistor (IGBT) power module to grant optimal performances: constant current output to make welding arc more stable and stepless current regulation. All inverters are fitted with automatic protection functions: overvoltage, overcurrent and overtemperature.

3.1 TECHNICAL DATA

NOTE: here below data may differ from the data on the technical table on the unit. Always refer to the technical data table on the unit.

W130		
	(1 ph)	230V 50/60Hz
Power 60%	KVA	2,7
U ₀	V	60
Amp. Min-Max	A ±10%	5 ÷ 130
Amp. 60974-1	A	20% 130 60% 75
Ø E	mm	1,6 ÷ 3,25
Insulation	-	H
Protec. Degree	-	IP22
W160		
	(1 ph)	230V 50/60HZ
Power 60%	KVA	4,2
U ₀	V	65
Amp. Min-Max	A ±10%	5 ÷ 160
Amp. 60974-1	A	30% 160 60% 115
Ø E	mm	1,6 ÷ 4
Insulation	-	H
Protec. Degree	-	IP22
W200		
	(1 ph)	230V 50/60HZ
Power 60%	KVA	6
U ₀	V	65
Amp. Min-Max	A ±10%	5 ÷ 200
Amp. 60974-1	A	25% 200 60% 120
Ø E	mm	1,6 ÷ 5
Insulation	-	H
Protec. Degree	-	IP22

4.0 INSTALLATION OF THE EQUIPMENT

Proper operation of the generator is ensured by adequate installation. The assembly of the inverter must be done by expert people, following the instructions and in full respect of the safety standards.

- Remove the welder from the carton box.

BEFORE ATTEMPTING ANY ELECTRICAL CONNECTION CHECK THE DATA PLATE AND MAKE SURE THAT THE INPUT VOLTAGE AND THE FREQUENCY ARE THE SAME OF THE MAINS OUTLET TO BE USED.

EARTHING

- To protect users the welding machines must be connected properly to the earth (ground) system (INTERNATIONAL SAFETY REGULATIONS).
- It is indispensable to earth (ground) the machine properly with the yellow-green conductor of the power supply cable, in order to avoid discharges due to accidental contacts with earthed objects.
- The chassis (that is conductive) is electrically connected to the earth conductor. Failure to earth the equipment correctly can cause electric shocks dangerous to the users.

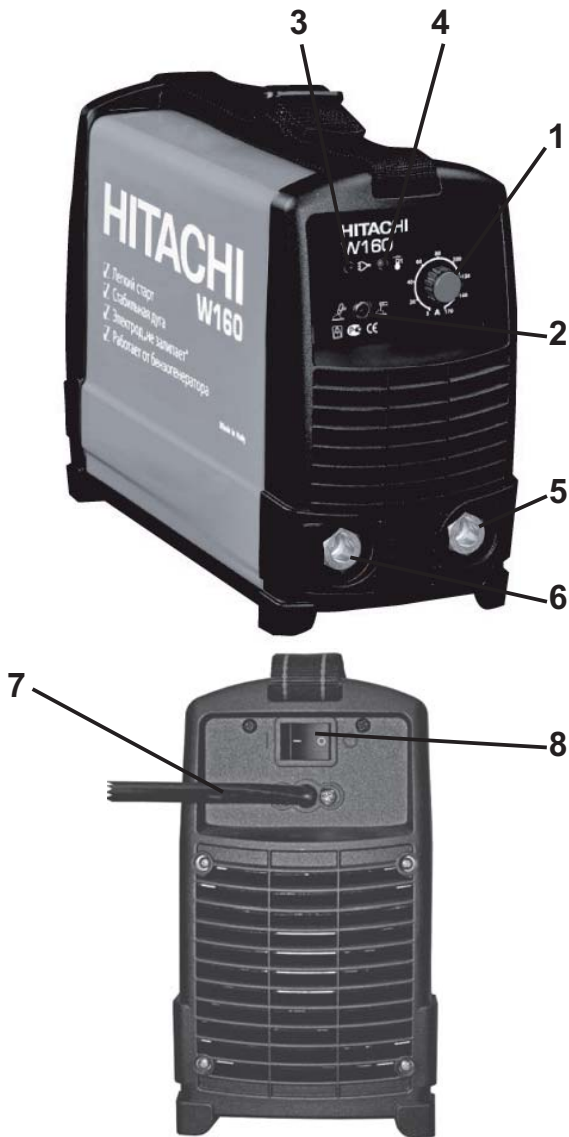
- Plug the inverter to the mains.

Do not use the generator with input cables' extensions longer than 10m and thinner than 2.5mm². Remember to keep them layed and not wound or entangled.

Do not use the welder with the side panels partially or completely removed in order to avoid accidental contacts with inner live parts.

- The inverter is now ready for use. Make sure you are welding in a properly ventilated area and that the ventilation openings of the machine are not obstructed (poor air ventilation may reduce the duty cycle of the unit and cause damages). Now you may choose the welding process by connecting the accessories as showed in the following pages.

5.0 INVERTER FUNCTIONS AND CONNECTIONS



1 Adjusting welding current potentiometer

2 Stick / Tig Selector (only for the models which have it)

3 Green Led indicating power ON

Led ON = Power ON

Led OFF = Power OFF

Overvoltage Protection Intervention (reset the unit by switching it OFF, wait 20 seconds, then switch the unit ON)

4 Yellow Led

Led ON = indicating temperature limits are exceeded.

Warning: Let unit to cool down. When ready, the yellow led will automatically shut off.

Led ON = indicating alarm condition due to over current. Turn unit off and then on. In the case of protection intervention due to a cur-

rent peak the unit will revert to working, if not so, please contact your service centre.

5 Dinse positive socket

6 Dinse negative socket

7 Input Cable

8 ON/OFF Switch

6.0 STICK WELDING

General information

The electric arc may be described as a source of bright light and strong heat; in fact, the flow of electric current in the gas atmosphere which surrounds the electrode and the workpiece determines the radiation of electromagnetic waves that can be perceived as light and/or heat depending on their wave length. At an unperceivable level, the arc also produces ultra-violet and infra-red light; ionizing rays have never been noted. The heat produced by the arc is used in the welding process to melt and join metal parts. The necessary electric current is supplied by special equipment commonly called welding machine.

- Connect the earth cable to the negative pole of the Inverter and the earth clamp to the workpiece.
- Connect the welding cable to the positive pole of the Inverter.
- Select the welding current using the potentiometer on the front panel. The welding current should be chosen following the instruction given by the electrodes manufacturer on the electrode box, but the following indications may be useful as general information:

ELECTRODE DIAMETER	WELDING CURRENT
1.5mm	30 A - 40A
2.0mm	50 A - 65 A
2.5mm	70 A - 100 A
3.25mm	100 A - 140 A
4.0mm	140 A - 160 A

- Switch the Inverter on. The two leds on the front panel will be respectively the green = lit and the yellow = off (for more details see page before). Select the stick welding through the switch placed on the front panel.

- Protect your face with a mask or a helmet. Touch, with the electrode fastened, in the electrode holder, the work piece until the arc will be struck. (the inverter is featuring "hot start" to improve the striking.

Avoid hammering the workpiece with the electrode since it may loose the coating and increase the arc striking difficulties.

- After striking the arc keep feeding the electrode into the weld pool with an angle of about 60° and moving left to right so that you may control visually the welding. The length of the arc can also be controlled by lifting or lowering slightly the electrode. Also a variation of the welding angle may increase the size of the weld pool improving the capacity of surfacing of the slag.
- At the end of the weld let the slag cool off before removing it, using the brush-hammer.

CAUTION:
Protect your eyes when hitting the slag with the chip hammer to avoid damages.

CAUTION:
A bad start can be due to the dirty workpiece, a bad connection between earth cable and work piece, or the bad fastening of the electrode in the electrode holder.

7.0 QUALITY OF THE WELD

The quality of the weld will depend mainly on the ability of the welder, on the type of weld and on the quality of the electrode: Choose the proper electrode before attempting to weld, paying attention to the thickness and composition of the metal to be welded.

Correct welding current.

If the current is too high the electrode will burn fast and the weld pool will be wide irregular and difficult to be controlled. If the current is too low you will lack power and the weld pool will be narrow and irregular.

Correct arc length.

If the arc is too long it will cause spatters and small fusion of the welding piece. If the arc is too short the arc heat will be insufficient causing the electrode to stick to the workpiece.

Correct welding speed.

The correct welding speed will consent to achieve a weld of proper width, without waves or craters.

8.0 TIG WELDING

The TIG process uses the electrical arc struck between the tungsten electrode of the torch and the work piece surface.

In TIG welding the torch is always connected to the negative pole of the welder.

Welder preparation:

- Select TIG welding thru the Selector on the front panel.
- Connect the earth cable to the positive pole of the welder and the earth clamp to the work piece.
- Connect the TIG torch to the negative pole of the welder and the gas hose to the pressure regulator of the gas cylinder.

The flow of the gas is manually controlled using the knob on the torch handle. Use inert gas (argon) only.

- Turn the inverter on.

9.0 TIG WELDING BY SCRATCH ARC

- Ensure the electrode at the torch nozzle, protrudes by 4 - 5mm., also ensure that the electrode is sharply pointed with an angle of 40°-60°.

- Set the welding current considering the thickness of the material to be welded and of the diameter of the tungsten electrode to be used.

- Open the gas valve on the torch handle, allowing gas to flow from the torch nozzle. Cover your face with the head shield, bring the torch to within 3-4mm of the work, and at an angle of 45 °, so that the ceramic nozzle gently touches the work surface. (fig.b). Scratch the tip of the electrode until an arc develops, quickly withdraw the electrode and maintaining a gap of approx. 3-4 mm proceed to weld. To stop welding, simply remove the torch from the work piece.

REMEMBER to turn OFF the gas immediately you finish welding.

In order to avoid damages to the generator, we suggest only expert people to proceed with the SCRATCH ARC welding.

10.0 ORDINARY MAINTENANCE CAUTION!!!

BEFORE CARRY OUT ANY MAINTENANCE, UNPLUG THE MACHINE FROM THE MAINS POWER SUPPLY.

NOTES:

- a) The arc length generally varies between 3 and 6mm. depending on the type of joint, type and thickness of material, and so on.
- b) The torch is advanced in the direction of welding, without lateral movement, maintaining the torch angle of 45° to the workpiece.

The efficiency of the welding system over time is directly related to the frequency of maintenance jobs, such as:

For welding machines only need to be taken care inside. The dustier the working environment is, the more often this should be done.

- Take off the lid.
- Remove all traces of dust in the inner parts of the generator with a jet of compressed air at a pressure under 3Kg/cm.
- Check all electrical connections, making sure that nuts and screws have been firmly tightened.
- Do not delay in replacing worn-out parts.
- Put the lid back on.
- After completing the above operations, the generator is ready to be restarted following the instructions given in this manual.

FIG.A

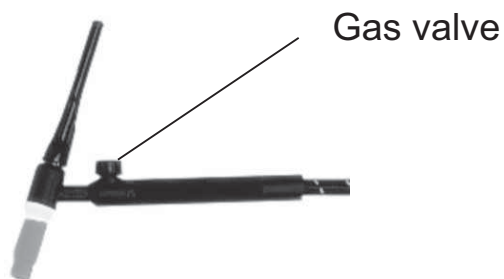
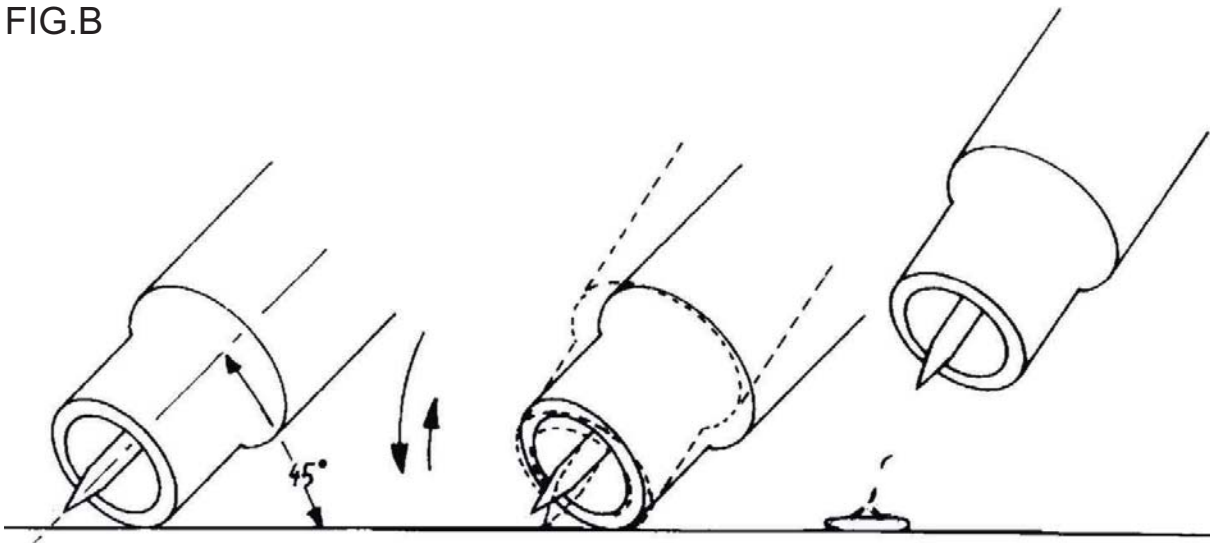


FIG.B



11.0 POSSIBLE WELDING DEFECTS

DEFECT	CAUSES	SUGGESTIONS
POROSITY	Acid electrode on steel with high sulphur content. Electrode oscillates too much. Workpieces are too far apart. Workpiece being welded is cold.	Use basic electrodes. Move edges to be welded closer together. Move slowly at the beginning. Lower welding current.
CRACKS	Material to be welded is dirty (e.g. oil, paints, rust, oxides). Not enough current.	Cleaning workpieces before welding is an essential method of achieving neat weld beads.
LIMITED PENETRATION	Low current. High welding rate. Reversed polarity. Electrode inclined in position opposite to its movement.	Make sure operating parameters are regulated and improve preparation of workpieces.
HIGH SPRAYS	Electrode is too inclined.	Make appropriate corrections.
PROFILE DEFECTS	Welding parameters are incorrect. Pass rate is not related to operating parameters requirements.	Follow basic and general welding principles.
ARC INSTABILITY	Not enough current.	Check condition of electrode and earth wire connection.
ELECTRODE MELTS OBLIQUELY	Electrode core is not centred. Magnetic blow phenomenon.	Replace electrode. Connect two earth wires to opposite sides of the workpiece.

12.0 TROUBLE SHOOTING

INCONVENIENCE	CAUSE	REMEDY
SPARK WILL NOT START	Bad primary connection. Inverter PCB is defective.	Check primary connection. Contact after sales service centre.
NO OUTPUT VOLTAGE	Overheated unit, yellow LED lit Overvoltage protection intervention, green LED off. Overcurrent protection intervention, yellow LED lit. Internal relay has failed. Inverter PCB is defective.	Wait for thermal cut-out to be reset. Check power line. Reset the unit by turning it off and on after 20 seconds. Reset the unit by turning it off and on after 20 seconds. If the unit doesn't revert working contact after sales service centre. Contact after sales service centre. Contact after sales service centre.
WRONG OUTPUT CURRENT	Defective control potentiometer. Low primary power supply voltage.	Contact after sales service centre. Check power line.

ВАЖНО!

Внимательно прочитайте инструкцию по эксплуатации перед установкой аппарата и убедитесь, что желтый и зеленый заземляющие провода напрямую подключены к заземлению в зоне сварки.

Не включайте аппарат, если открыты боковые панели, т.к. это опасно для жизни рабочего и может вызвать серьезные повреждения оборудования.

Аппарат работает только при напряжении 230В, 50Гц, 1 фаза.

Кабель аппарата находится под напряжением, даже если главный выключатель находится в положении "0", поэтому перед проведением технического обслуживания обязательно выдерните вилку из розетки.

Сварочный аппарат может использоваться только с дизельным генератором, технические характеристики которого должны быть не менее 6кВА, 220В, 50Гц

1.0 ВВЕДЕНИЕ

1.1 ИДЕНТИФИКАЦИЯ ОБОРУДОВАНИЯ

Идентификационный номер модели (технические характеристики или артикул детали) и серийный номер обычно наносятся на специальную табличку, прикрепляемую к задней панели. Оборудование, которое не имеет панели управления, например, горелка или набор кабелей, идентифицируются только с помощью технических характеристик или артикула детали, указанных на транспортировочной упаковке. Запишите данные номера для возможного обращения к ним в будущем.

1.2 ПРИЕМ ОБОРУДОВАНИЯ

При получении оборудования сравните его с накладной; проверьте наличие всех комплектующих и проверьте оборудование на предмет возможных повреждений,

связанных с транспортировкой. Все аппараты при отправке тщательно проверяются, однако, если аппарат работает не должным образом, то обратитесь к разделу «Устранение неисправностей». Если вы не можете устранить неисправность, то обратитесь за помощью к уполномоченным дилерам.

2. МЕРЫ БЕЗОПАСНОСТИ

2.1 ОБЩИЕ ПОЛОЖЕНИЯ

Данное руководство по эксплуатации содержит все необходимые инструкции по:

- Установке оборудования
- Правильной эксплуатации
- Правильному техническому обслуживанию.

Рабочие, проводящие техническое обслуживание аппарата, должны внимательно изучить данное руководство по эксплуатации.

2.2 РАЗМЕЩЕНИЕ

Процесс сварки может быть очень опасным не только для рабочего, но и для людей, находящихся в непосредственной близости с оборудованием, если не соблюдаются необходимые меры безопасности.

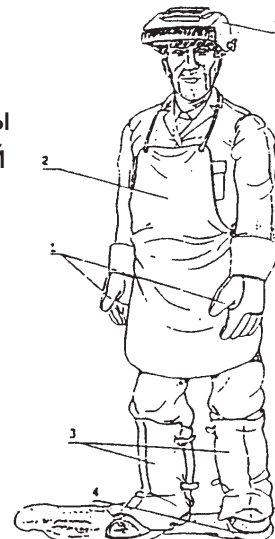
Поэтому владелец аппарата и рабочий должны внимательно изучить правила техники безопасности и принять все необходимые меры, чтобы избежать несчастных случаев при эксплуатации оборудования.

Основные меры предосторожности:

- Рабочий, для защиты собственного тела, должен надеть невоспламеняющуюся, плотно подогнанную одежду без карманов и отворотов на брюках.

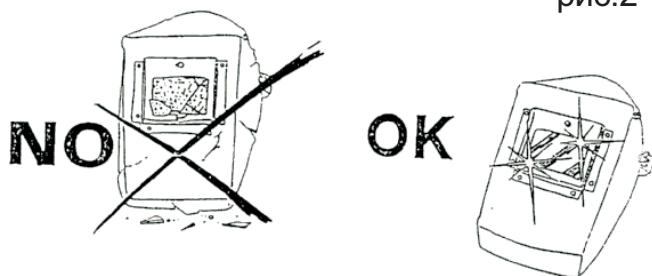
Перед тем как надеть одежду, с нее должны быть тщательно удалены масло и смазка. Рабочий также должен носить закрытую защитную обувь со стальными носками и с резиновыми подошвами (рис. 1).

1. Кожаные перчатки
2. Кожаный фартук
3. Покрытие для обуви
4. Защитная обувь
5. Маска для лица



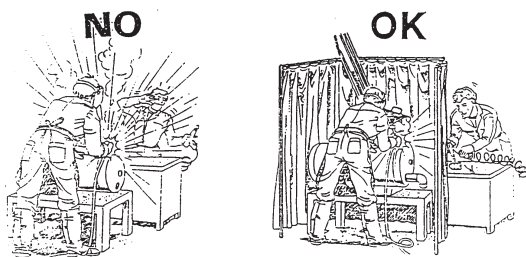
- Оператор должен носить невоспламеняющийся защитный шлем или специальный щиток сварщика, выполненный таким образом, чтобы защитить шею и лицо, а также боковые части головы. Защитный шлем или щиток должны иметь защитные стекла, подходящие для данного типа сварки и используемого тока. Стекло должно быть всегда чистым; если стекло поцарапано или повреждено, его необходимо заменить (рис.2). Желательно устанавливать поверх адиактинического стекла щиток из прозрачного стекла. Щиток можно заменять по мере его загрязнения. При сварке листов с покрытием при нагреве образуются токсичные пары, поэтому в этом случае необходимо использовать воздушный респиратор.

рис.2



- Сварка должна проходить в закрытом помещении, которое не должно быть смежным с другими рабочими помещениями, чтобы защитить рабочих от излучения и испарений. Если невозможно обеспечить закрытое помещение, то зона сварки должна быть отделена специальным, большим непроницаемым ограждением черного цвета, чтобы процесс сварки не был виден людям, находящимся рядом (рис.3).

рис.3



- До сварки удалите все хлорсодержащие растворы из рабочей зоны. Данные растворы разлагаются, когда подвергаются ультрафиолетовому излучению и образуют газ фосген.
 - Во время сварки категорически запрещается смотреть на электрическую дугу без соответствующей защиты для глаз (рис.4).

рис.4



- Всегда надевайте защитные очки с прозрачными линзами, чтобы защитить глаза от попадания искр, брызг и других инородных частиц (рис.5).

рис.5



- В помещении, в котором проводятся сварочные работы, должна быть обеспечена местная вытяжная вентиляция. Она должна обеспечиваться через подвижное вытяжное устройство или через встроенную систему на рабочем столе, которая обеспечивает вытяжку с различных сторон, с фронта сварки и ниже, но не с зоны, расположенной над местом сварки, для того, чтобы избежать поднятия пыли и дыма. Вытяжная вентиляция должна использоваться вместе с соответствующей общей вентиляцией и циркуляцией воздуха, особенно в случаях, когда сварка проходит в закрытом помещении (рис. 6). При неправильной системе вентиляции возможны боль и неприятные ощущения в глазах, носе или горле, при этом необходимо сразу прекратить сварку и обеспечить необходимую вентиляцию.

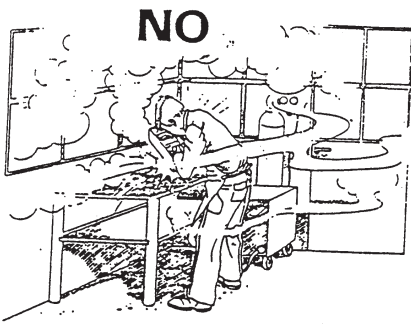


рис.6

электрической сети используются два провода двухполюсного кабеля питания, а желто-зеленый провод - для обязательного заземления в зоне сварки.

- Подсоедините все металлические детали, которые находятся в зоне сварки, при помощи кабеля с большим или таким же сечением как сварочный кабель к клемме заземления.

- При работе в закрытом помещении, источник питания должен находиться вне зоны сварки, а заземляющий кабель должен быть приварен к обрабатываемому изделию. Не эксплуатируйте аппарат в помещениях с высокой степенью влажности и сырости (рис.7).

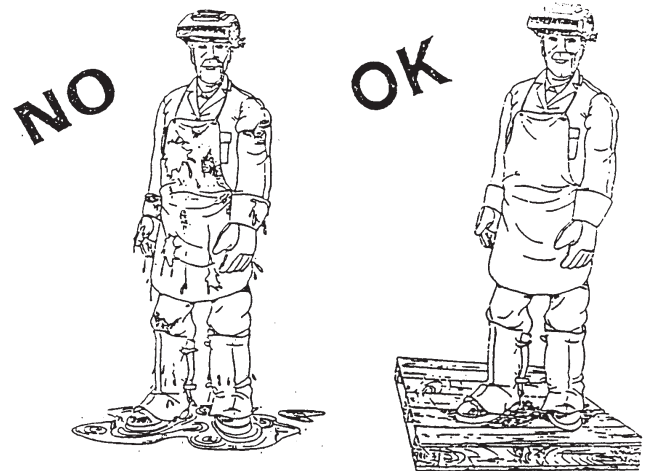


- Сварка должна выполняться на металлическом покрытии тщательно очищенном от ржавчины и краски, чтобы избежать образования вредного дыма. Детали, обработанные обезжиривающими растворами, должны быть высушены до начала сварки.

- Не следует сваривать металл или окрашенный металл, содержащий цинк, свинец, кадмий, бериллий, до тех пор, пока рабочий или другие люди находящиеся в помещении не наденут респираторы или защитные маски.

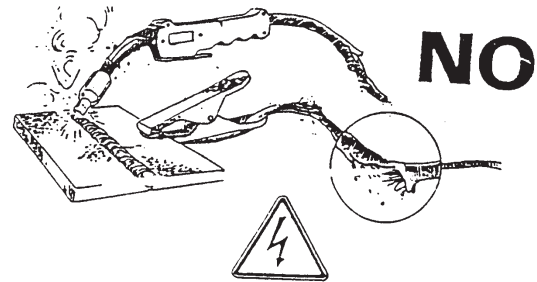
- Санитарно-техническая защита рабочего, косвенно или напрямую задействованного в процессе сварки, обеспечивается соответствующими действующими нормами.

рис.7



- Не используйте поврежденные сварочные кабели и шнуры питания (рис.8).

рис.8



- Не прикасайтесь ни какими частями вашего тела к горячим металлическим деталям (рис.9).

рис.9



- Не обматывайте провода вокруг своего тела.

- Не направляйте горелку на рабочего

2.3 ИНСТРУКЦИИ ПО БЕЗОПАСНОСТИ.

Для вашей собственной безопасности, перед подключением аппарата к электрической сети тщательно выполните следующие инструкции:

- Двухполюсный выключатель должен быть подключен к соответствующему двухполюсному разъему; Этот выключатель должен быть снабжен предохранителем и его технические характеристики должны соответствовать пункту «Технические характеристики»;
- Однофазное подключение к заземлению должно быть осуществлено с помощью двухполюсной вилки и соответствующей розетки.
- Для подключения к однофазной

или на других людей. Источник питания имеет уровень защиты IP 22, поэтому он предотвращает:

- контакт с горячими или движущимися внутренними деталями;
 - попадание твердых частиц диаметром более 12 мм;
- попадание вертикально падающих капель воды (конденсата) и под наклоном не более 150;

Не эксплуатируйте аппарат без боковых панелей т.к. это может вызвать серьезные травмы рабочего и может повредить оборудование.

2.4 ПРЕДОТВРАЩЕНИЕ ПОЖАРА.

Рабочая зона должна соответствовать правилам техники безопасности: в помещении должны быть огнетушители; стены, потолок, и пол должны быть выполнены из невоспламеняющихся материалов. Все горючие материалы необходимо удалить из зоны сварки. (рис.10) Если горючие материалы не могут быть удалены, они должны быть защищены огнеустойчивым покрытием. Перед сваркой проветривайте потенциально огнеопасную атмосферу. Не работайте в атмосфере, содержащей сильную концентрацию пыли, огнеопасные газы или горючие жидкие пары. Источник питания должен быть размещен в безопасном месте на устойчивом и ровном полу; не размещайте источник питания около стены. Не осуществляйте сварку на баллонах, в которых хранились горючие, смазочные и иные воспламеняющиеся материалы. После завершения работы, убедитесь, что на рабочем месте не осталось раскаленных или тлеющих материалов.

рис.10



2.5 ЗАЩИТНЫЙ ГАЗ.

Используйте защитный газ, подходящий для того вида сварки, который вы осуществляете. Убедитесь, что регулятор/расходомер, установленный на баллоне, работает должным образом. Баллон следует предохранять от воздействия тепла.

2.6 ДОПУСТИМЫЙ УРОВЕНЬ ШУМА ПО НОРМАМ 86/188/ПОЛОЖЕНИЕ ЕЭС

При стандартных условиях аппарат для электродуговой сварки не превышает допустимый уровень шума в 80 дБ. Однако, при определенных условиях, например, при использовании высоких параметров сварки уровень шума может превышать допустимый, поэтому рекомендуется надевать наушники.

2.7 ЭЛЕКТРОМАГНИТНАЯ СОВМЕСТИМОСТЬ.

Перед установкой сварочного аппарата для сварки электродом и сварки вольфрамовым электродом в инертном газе, проверьте близлежащую зону, соблюдая следующие ключевые моменты:

1. убедитесь, что около аппарата отсутствуют посторонние кабели источников питания, линии передачи сигналов, телефонные соединительные провода и другое оборудование;
2. убедитесь, что отсутствуют радиоприемники и телевизоры;
3. убедитесь, что отсутствуют компьютеры и другие системы управления;
4. убедитесь, что поблизости нет людей с кардиостимулятором или слуховым аппаратом;
5. проверьте помехоустойчивость приборов, работающих в рабочей зоне сварочного аппарата. Возможно, потребуются дополнительные меры защиты.

Помехи могут быть сокращены следующими способами:

1. если есть помехи в источнике питания, то необходимо установить фильтр-стабилизатор напряжения между электрической сетью и аппаратом;
2. выходные кабели аппарата должны быть укорочены; провода должны лежать

вместе, на земле;

3. после технического обслуживания обязательно закройте все панели аппарата.

2.8 ОКАЗАНИЕ ПЕРВОЙ ПОМОЩИ

Ogni luogo di lavoro deve essere dotato di una cassetta di pronto soccorso e deve essere presente una persona qualificata in cure di primo soccorso, per un aiuto immediato alle persone vittime di uno shock elettrico. Inoltre devono essere disponibili tutti i trattamenti per la cura di bruciatore degli occhi e della pelle.

2.8 ОКАЗАНИЕ ПЕРВОЙ ПОМОЩИ

Для оказания первой медицинской помощи пострадавшему от электрошока, необходимо содействие квалифицированного специалиста и наличие соответствующих средств. Также должны быть средства для оказания первой помощи при ожогах кожи и глаз.

ЭКСТРЕННАЯ ПЕРВАЯ ПОМОЩЬ.

Немедленно вызовите скорую помощь или позвоните врачу.

Используйте способы оказания первой помощи, рекомендованные Красным Крестом.

Внимание: при получении электрического шока возможен летальный исход.


Если человек потерял сознание, и вы подозреваете у него электрический шок, не дотрагивайтесь до человека, если он соприкасается со сварочным аппаратом или другими электрическими деталями. Отключите аппарат от сети, и затем оказывайте первую помощь пострадавшему. Сухим деревянным предметом или другим диэлектриком, снимите кабель с пострадавшего.


3.0 КРАТКАЯ ИНФОРМАЦИЯ


Ваш аппарат принадлежит к группе сварочных инвертеров, предназначенных для сварки покрытым электродом, которые используют самую последнюю широтно-импульсную модуляцию и блок питания биполярного транзистора с изолированным затвором (БИТЗ) для выдачи оптимальных рабочих характеристик. Постоянный ток на выходе обеспечивает стабильность дуги и не требует ступенчатой регулировки. Все инвертеры оснащены функциями автоматической защиты от перенапряжения, перегрева и сверхтока.

3.1 ТЕХНИЧЕСКИЕ ХАРАКТЕРИСТИКИ

Важно: нижеприведенные данные могут отличаться от данных указанных в табличке на задней панели аппарата.

		W130
 (1 ph)		230V 50/60Hz
Power 60%	KVA	2,7
U _o	V	60
Amp. Min-Max	A ±10%	5 ÷ 130
Amp. 60974-1	A	20% 130 60% 75
∅ E	mm	1,6 ÷ 3,25
Insulation	-	H
Protec. Degree	-	IP22

		W160
 (1 ph)		230V 50/60HZ
Power 60%	KVA	4,2
U _o	V	65
Amp. Min-Max	A ±10%	5 ÷ 160
Amp. 60974-1	A	30% 160 60% 115
∅ E	mm	1,6 ÷ 4
Insulation	-	H
Protec. Degree	-	IP22

		W200
 (1 ph)		230V 50/60HZ
Power 60%	KVA	6
U _o	V	65
Amp. Min-Max	A ±10%	5 ÷ 200
Amp. 60974-1	A	25% 200 60% 120
∅ E	mm	1,6 ÷ 5
Insulation	-	H
Protec. Degree	-	IP22

4.0 УСТАНОВКА ОБОРУДОВАНИЯ

Правильная установка аппарата обеспечивает его должное функционирование. Сборка инвертора должна осуществляться квалифицированными рабочими в соответствии с инструкцией и с действующими нормами безопасности.

- Достаньте сварочный аппарат из коробки.

Перед подключением аппарата к электрической сети, убедитесь, что технические характеристики аппарата совпадают с выходным напряжением и частотой электрической сети.

ЗАЗЕМЛЕНИЕ

- Для того чтобы обезопасить рабочих, необходимо заземлить сварочный аппарат в соответствии с международными нормами безопасности.
- Необходимо заземлить аппарат с помощью желто-зеленого провода для того, чтобы избежать разрядов, вызванных случайным соприкосновением с заземленными объектами.
- Шасси (которые являются проводящими) соединены с заземляющим кабелем. Неправильное заземление оборудования может вызвать электрический шок.

- Подключите инвертор к электрической сети.

Не используйте аппарат с удлинителями длиной более 10 метров и толщиной менее 2.5 мм². Не обматывайте удлинители, не запутывайте и не завязывайте их, держите их на полу. Не эксплуатируйте сварочный аппарат, если боковые панели не закрыты. Это позволит предотвратить случайные контакты с внутренними деталями сварочного аппарата.

- Инвертор готов к эксплуатации. Убедитесь, что сварочные работы проводятся в хорошо проветриваемом помещении. Убедитесь, что вентиляционные отверстия самого аппарата не забиты (недостаточная вентиляция приводит к сокращению

рабочего цикла и может вызвать повреждения аппарата). Теперь выберите вид сварки и включите аппарат, как показано далее.

5.0 ПОДСОЕДИНЕНИЕ И ФУНКЦИИ ИНВЕРТЕРА



1. Потенциометр для регулировки сварочного тока
2. Переключатель Stick / Tig (только для моделей, в которых он присутствует)
3. Зеленая сигнальная лампочка, показывающая, что питание включено(ON) Сигнальная лампочка горит – питание есть. Сигнальная лампочка выключена – питания нет.
- Защита от скачков напряжения (перенастройте аппарат, нажав OFF, подождите 20 секунд, затем включите ON).
4. Желтая сигнальная лампочка Сигнальная лампочка горит – указывает на превышение температурного предела. Предупреждение: Аппарат должен остыть. Как только аппарат будет готов к эксплуатации, желтая сигнальная лампочка автоматически выключится.
- Мигающая сигнальная лампочка

– указывает на тревогу, вызванную сверхтоком. Выключите аппарат и включите снова. В случае, если защита от скачков напряжения сработает, аппарат вернется к работе, в противном случае, обратитесь в Ваш сервисный центр.

- 5 Положительный разъем
- 6 Отрицательный разъем
- 7 Кабель питания (retro)
- 8 Выключатель ON/OFF

6.0 ЭЛЕКТРОДНАЯ СВАРКА

ОБЩАЯ ИНФОРМАЦИЯ

Сварочную дугу можно описать как источник яркого света и сильного тепла. В действительности, это поток электрического тока в газовой среде, окружающей электрод и обрабатываемый металл, вызывающий излучение электромагнитных волн, которое ощущается в виде света и/или теплоты в зависимости от длины самих волн. На неощутимом уровне дуга выделяет также ультрафиолетовые и инфракрасные излучения. Выделение ионизирующих излучений никогда не отмечалось. Тепло, выделяемое дугой, используется в сварке для плавления и соединения металлических деталей. Подача необходимого электрического тока обеспечивается специальным оборудованием - сварочным аппаратом.

- Соедините заземляющий кабель с отрицательным разъемом инвертора, а заготовку с заземляющей клеммой.
- Соедините сварочный кабель с положительным разъемом инвертора.
- Установите сварочный ток с помощью потенциометра, установленного на передней панели. Сварочный ток рекомендуется выбирать в соответствии с инструкцией производителя электродов, указанной на коробке. Нижеприведенная информация может также оказаться полезной:

Сводная таблица

Диаметр электрода	Сварочный ток
1.5 мм	30 А – 40 А
2.0 мм	50 А – 65 А
2.5 мм	70 А – 100 А
3.25 мм	100 А – 140 А
4.0 мм	140 А – 160 А

- Включите инвертор. Две сигнальные лампочки на передней панели означают соответственно: зеленая - включение, желтая – выключение (за более подробной информацией обратитесь к предыдущим страницам). С помощью переключателя на передней панели выберите электродную сварку.

- Наденьте на лицо защитную маску или шлем. Электродом, установленным в электрододержателе, прикасайтесь к заготовке до тех пор, пока не зажжется дуга (данный инвертор имеет функцию «быстрого старта» для обеспечения легкого зажигания дуги).

Не стучите электродом по металлу, поскольку это может испортить покрытие и осложнить зажигание дуги.

- После зажигания дуги подайте электрод в сварочную ванну под углом 60° , продвигаясь слева на право, чтобы визуально контролировать сварочный процесс. Длину сварочной дуги можно изменять при помощи поднятия или опускания электрода. Изменение угла наклона сварки увеличивает размер сварочной ванны, вследствие чего изменяется количество шлака всплывающего на поверхность.

• По окончании сварки дайте шлаку остыть, а потом удалите его с помощью обрубочного молотка.

Предупреждение!

При удалении шлака обрубочным молотком наденьте защитные очки, чтобы предотвратить повреждения глаз.

Предупреждение!

Грязная заготовка, плохое соединение между заземляющим кабелем и заготовкой, плохо закрепленный электрод в электрододержателе могут стать причиной проблем с зажиганием дуги.

7.0 КАЧЕСТВО СВАРКИ

Качество сварки зависит в основном от опыта рабочего, от вида сварки и от качества электрода, поэтому выбирайте подходящий электрод до того, как приступите к сварке, учитывая толщину и состав свариваемых металлов.

Регулировка сварочного тока.

В случае, если ток слишком высокий, то

электрод быстро сгорает; при этом шов получается широкий и неровный. Если ток слишком низкий, то мощность маленькая и шов получается узкий и неровный.

Длина сварочной дуги.

Слишком длинная сварочная дуга вызывает искры и слабое плавление обрабатываемого металла; при слишком короткой дуге электрод прилипает к металлу.

Регулировка скорости сварки.

При правильном выборе скорости сварки шов получается необходимой ширины без деформаций и кратеров.

8.0 СВАРКА ВОЛЬФРАМОВЫМ ЭЛЕКТРОДОМ В ИНЕРТНОМ ГАЗЕ - СВАРКА TIG

При сварке вольфрамовым электродом в инертном газе электрическая дуга зажигается между вольфрамовым электродом горелки и поверхностью заготовки.

Внимание: При сварке вольфрамовым электродом в инертном газе горелка всегда подключена к отрицательной клемме сварочного аппарата.

Подготовка аппарата к эксплуатации:

- Выберите сварку TIG с помощью переключателя на передней панели.

- Подсоедините заземляющий кабель к положительной клемме сварочного аппарата, а клемму заземления к заготовке.

- Соедините горелку TIG с отрицательной клеммой сварочного аппарата, а шланг для подачи газа с регулятором давления газового баллона.

Подача газа регулируется вручную, с помощью шарообразной ручки на стволе горелки. Используйте только инертный газ (аргон).

- Включите инвертор.

9.0 СВАРКА ВОЛЬФРАМОВЫМ ЭЛЕКТРОДОМ В ИНЕРТНОМ ГАЗЕ: ЗАЖИГАНИЕ ДУГИ

- Убедитесь, что электрод вышел из горелки на 4-5мм, и что он имеет угол 40° - 60° .

- Установите сварочный ток, учитывая толщину свариваемого металла и диаметр используемого вольфрамового электрода.

- Откройте газовый клапан на ручке горелки, чтобы газ пошел из сопла горелки.
- Накройте лицо защитной маской и поднесите горелку на 3-4 мм от поверхности заготовки под углом 45°, таким образом, чтобы керамическое сопло горелки касалось поверхности заготовки (рис. б). Быстрым движением закоротите вольфрамовый электрод и установите его на прежнем расстоянии 3-4 мм и начинайте сварку. Для того, чтобы прекратить сварку уберите горелку от заготовки.

Обязательно выключите подачу газа сразу после окончания сварки.

Для того, чтобы избежать возможных повреждений генератора рекомендуется только квалифицированным рабочим использовать сварку с зажиганием дуги.

Примечания:

- а) Длина дуги должна быть в пределах 3 - 6мм в зависимости от типа сварочного

шва, типа и толщины материала и тд.

- б) Горелка должна двигаться в направлении сварки, без поперечных движений под углом 45° по отношению к заготовке.

10.0 ТЕХНИЧЕСКОЕ ОБСЛУЖИВАНИЕ

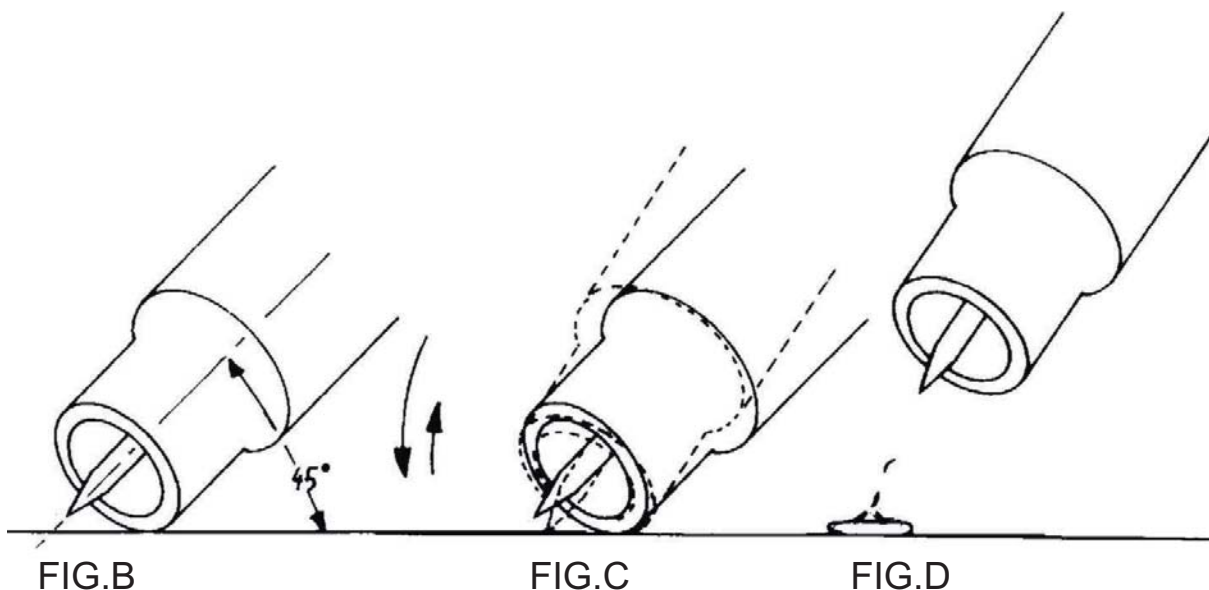
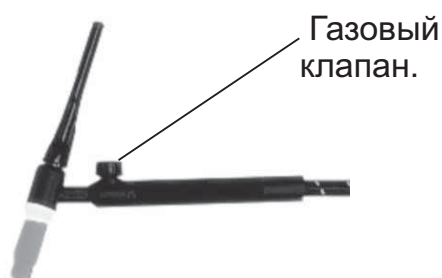
ПРЕДУПРЕЖДЕНИЕ!!!

Перед проведением технического обслуживания отключите аппарат от основного источника питания.

Производительность сварочного аппарата напрямую связана с частотой проведения технического обслуживания. Сварочный аппарат требует тщательного ухода за внутренними деталями. Чем больше пыли в рабочем помещении, тем чаще необходимо проводить техническое обслуживание.

- снимите крышку;
- удалите пыль с внутренних деталей аппарата струей сжатого воздуха при давлении 3кг/см;
- проверьте все электрические соединения, убедитесь, что все гайки и винты плотно затянуты;
- замените износившиеся детали;
- закройте крышку аппарата;
- после выполнения этих операций аппарат готов к работе в соответствии с инструкциями, описанными в данном руководстве.

Рис. А



11.0 ВОЗМОЖНЫЕ ДЕФЕКТЫ ПРИ СВАРКЕ

ДЕФЕКТ	ПРИЧИНЫ	УСТРАНЕНИЕ
ПОРИСТОСТЬ	Кислотный электрод на стали с высоким содержанием серы Слишком большое колебание электрода Свариваемые детали находятся слишком далеко друг от друга Заготовка холодная.	Используйте основной электрод Сдвиньте свариваемые края ближе друг к другу В начале сварки двигайте электрод медленнее . Понижьте сварочный ток.
ТРЕЩИНЫ	Заготовка грязная (масло, краска, коррозия, оксиды). Слабый сварочный ток.	Очистите рабочую поверхность перед сваркой. Это позволит получить качественный сварочный шов
СЛАБАЯ ПРОВАРИВАЕМОСТЬ	Низкий ток Высокая скорость сварки Обратная полярность Наклон электрода противоположен его движению	Отрегулируйте рабочие параметры и, более качественно проводите подготовку заготовки к сварке
СИЛЬНЫЕ ИСКРЫ	Электрод слишком сильно наклонен	Выправьте наклон электрода
ДЕФЕКТЫ СЕЧЕНИЯ	Установлены неправильные рабочие параметры Скорость прохода не соответствует требуемым рабочим параметрам Не постоянный наклон электрода во время сварки	Следуйте основным правилам сварки
НЕСТАБИЛЬНАЯ ДУГА	Слабый ток	Проверьте состояние электрода и заземление
ЭЛЕКТРОД ПЛАВИТСЯ ПОД УГЛОМ	Сердцевина электрода не отцентрирована Магнитные волны	Замените электрод Соедините два заземляющих провода с противоположных сторон заготовки.

12.0 УСТРАНЕНИЕ НЕИСПРАВНОСТЕЙ

ДЕФЕКТ	ПРИЧИНЫ	УСТРАНЕНИЕ
ИСКРА НЕ ЗАЖИГАЕТСЯ	Плохое соединение Печатная плата инвертера повреждена	Проверьте соединение Свяжитесь с нашим сервисом послепродажного обслуживания
НЕТ ВЫХОДНОГО НАПРЯЖЕНИЯ	Аппарат перегрелся - загорается желтая сигнальная лампочка. Защита от скачков напряжение – зеленая лампочка гаснет Защита от сверхтока – загорается желтая сигнальная лампочка Внутреннее реле повреждено Печатная плата инвертера повреждена	Дождитесь, пока термовыключатель можно будет снова включить. Проверьте исправность электрической сети. Перенастройте аппарат, нажав OFF, подождите 20 секунд, затем включите ON Свяжитесь с нашим сервисом послепродажного обслуживания
НЕПРАВИЛЬНЫЙ ВЫХОДНОЙ ТОК	Потенциометр неисправен Низкое напряжение основного источника питания	Свяжитесь с нашим сервисом послепродажного обслуживания Проверьте исправность электрической сети

WICHTIG

LESEN SIE DIE FOLGENDEN ANWEISUNGEN AUFMERKSAM DURCH, BEVOR SIE DAS GERÄT INSTALLIEREN UND STELLEN SIE SICHER, DASS DER GELBE UND GRÜNE ERDUNGSLEITER DIREKT MIT DER ERDE AN DER SCHWEISSSTELLE VERBUNDEN IST./

DAS GERÄT DARF NIEMALS OHNE VERKLEIDUNGSPLATTEN VERWENDET WERDEN, DA DIES FÜR DEN BENUTZER GEFÄHRLICH SEIN KÖNNTE UND EINE ERNSTE BESCHÄDIGUNG DES EQUIPMENTS ZUR FOLGE HABEN KÖNNTE.

DAS GERÄT FUNKTIONIERT NUR MIT EINER EINGANGSSPANNUNG VON 230Vac -50 Hz-1Ph.

DAS EINGANGSKABEL STEHT UNTER STROM, SELBST WENN DER HAUPTSCHALTER IN DER "0"-POSITION STEHT. STELLEN SIE BEI DER WARTUNG DES EQUIPMENTS DAHER SICHER, DASS DER 2-POLIGE STECKER VON DER LEITUNGSDOSE GETRENNT IST.

DIESES SCHWEISSGERÄT KANN NUR MIT DIESEL AGGREGATEN MIT EINER LEISTUNG VON MEHR ALS 6KVA BEI 220 V 50 HZ VERWENDET WERDEN. (ausgenommen sind Geräte, die 110V übermitteln)

1.0 EINFÜHRUNG

1.1 IDENTIFIKATION DES EQUIPMENTS

Die Identifikationsnummer des Geräts (Spezifikations- oder Teilenummer), Modell und Seriennummer sind normalerweise auf einem Typenschild auf der Rückseite zu finden. Equipment ohne Bedienfeld, wie die Pistolen- und Kabelkomponenten, werden lediglich durch die Spezifikations- oder Teilenummer auf dem Versandbehälter identifiziert. Bewahren Sie diese Nummern für künftige Referenzzwecke gut auf.

1.2 ERHALT DES EQUIPMENTS

Vergleichen Sie beim Erhalt des Equipments die Lieferung mit der Rechnung, um sicherzustellen, dass diese komplett ist. Untersuchen Sie zudem das Equipment nach möglichen Schäden durch den Versand. Alle verschickten Maschinen wurden gewissenhaft geprüft. Sollte Ihre Maschine jedoch nicht korrekt funktionieren, konsultieren Sie bitte den Abschnitt FE-

HLERBEHEBUNG dieses Handbuchs. Wenn der Fehler weiterhin besteht, kontaktieren Sie Ihren Vertragshändler.

2.0 SICHERHEITSWARNUNG

2.1 ALLGEMEINE ANWEISUNGEN

Dieses Handbuch beinhaltet alle notwendigen Anweisungen für:

- die Installation des Equipments;
- einen korrekten Betriebsablauf;
- eine angemessene Wartung des Equipments.

Lesen Sie dieses Handbuch daher aufmerksam durch und stellen Sie sicher, dass es von den Wartungsmitarbeitern und den Bedienern verstanden wird.

2.2 STANDORT

Schweißverfahren jeder Art können nicht nur für den Betreiber, sondern auch für alle Personen, die sich in der Umgebung des Equipments befinden, gefährlich sein, wenn die Sicherheits- und Betriebsbestimmungen nicht streng eingehalten werden.

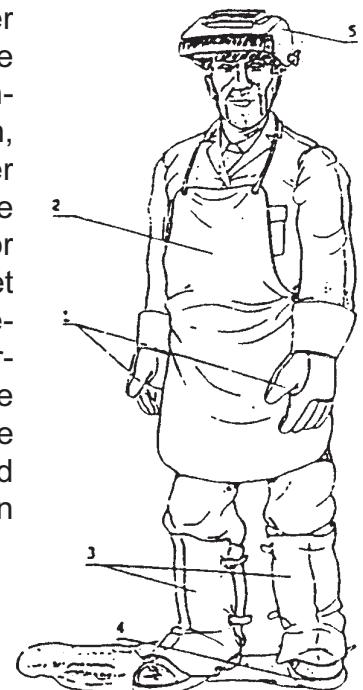
Besitzer und Bediener müssen sich daher über alle möglichen Risiken bewusst sein, um die nötigen Sicherheitsvorkehrungen vorzunehmen und dadurch jede Art von Arbeitsunfällen zu verhindern.

Die wichtigsten einzuhaltenden Sicherheitsmaßnahmen sind:

- Bediener sollten ihren Körper durch das Tragen nicht entflammbarer, enganliegender Schutzkleidung, ohne Taschen oder hochgeschlagene Hosen, schützen. Öl- oder Schmierrückstände sollten gründlich vor dem Tragen entfernt werden. Die Bediener sollten außerdem geschlossene Sicherheitsschuhe mit Stahlkappen und Gummisohlen tragen (Abb. 1).

1. Lederhandschuhe
2. Lederschürze
3. Schuhabdeckung
4. Sicherheitsschuhe
5. Gesichtsmaske

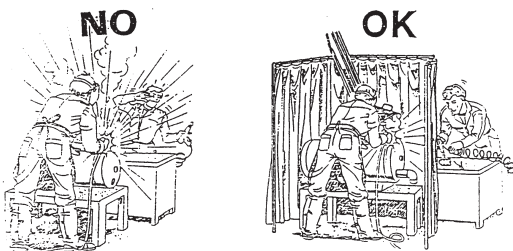
- Bediener sollten einen nicht entflammbaren Schweißerhelm oder einen Gesichtsschutz tra-



gen, der den Hals und das Gesicht auch an den Seiten schützt. Der Helm oder der Gesichtsschutz sollte mit einem für den Schweißvorgang und den verwendeten Strom angemessenen Schutzglas ausgestattet sein. Die Glasscheibe muss immer sauber sein und unverzüglich ersetzt werden, wenn diese zerbrochen oder gesprungen ist (Abb. 2). Es empfiehlt sich, eine transparente Glasscheibe oben auf dem antiaktinischen Glas, zwischen diesem und der Schweißstelle anzubringen. Die Scheibe kann ersetzt werden, wenn glühende Spritzer und Schichten die Sichtbarkeit verringern. Verwenden Sie für das Arbeiten mit beschichteten Platten, die bei der Erhitzung giftige Dämpfe freisetzen, eine Maske mit Luftzufuhr.

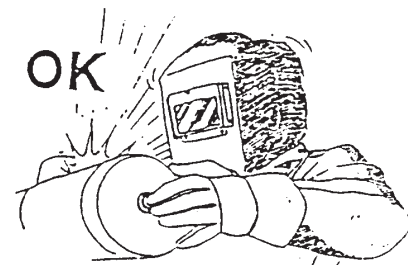


- Es sollte nur in geschlossenen Räumen geschweißt werden, die nicht in mit anderen Arbeitsbereichen verbunden sind, um alle Arbeiter vor Strahlung und Qualm zu schützen. Wenn ein solcher Bereich nicht zur Verfügung steht, muss die Schweißstelle durch Schutzschirme in blickdichtem Schwarz abgegrenzt werden, die groß genug sind, um die Sicht jeder Person, die sich in der Nähe befindet, zu verhindern (Abb. 3).



- Entfernen Sie alle chlorierten Lösungsmittel von der Schweißstelle, bevor Sie mit dem Schweißen beginnen. Bestimmte chlorierte Lösungsmittel zersetzen sich, wenn sie Ultraviolettstrahlung ausgesetzt werden, und bilden Phosgengas.

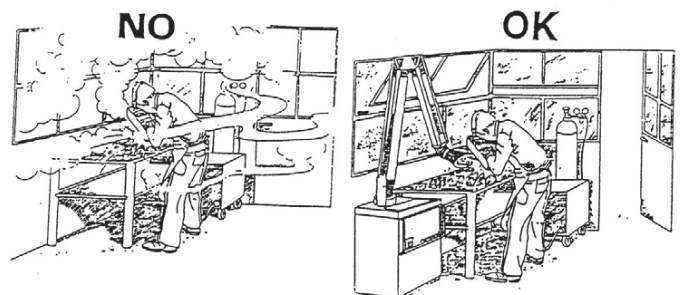
- Schauen Sie niemals und unter keinen Umständen, ohne einen angemessenen Augenschutz auf einen elektrischen Lichtbogen (Abb. 4).



- Tragen Sie immer eine Schutzbrille mit transparenten Linsen, um die Beschädigung der Augen durch Splitter oder andere Fremdpartikel zu verhindern (Abb. 5).



- Eine angemessene lokale Abgasentlüftung muss in diesem Bereich eingesetzt werden. Es kann entweder ein mobiles Abzugssystem oder ein in die Werkbank eingebautes System genutzt werden, dass die Abgasentlüftung von den Seiten, von vorne und unten, aber nicht oben von der Bank bietet, um das Aufsteigen von Staub und Qualm zu vermeiden. Die lokale Abgasentlüftung muss zusammen mit einer üblichen angemessenen Belüftung und Luftzirkulation bereitgestellt werden, besonders wenn die Arbeit an einem begrenzten Ort ausgeführt wird (Abb. 6). Jegliche Anzeichen von Flecken oder Schmerzen an den Augen, der Nase oder dem Hals können auf eine unangemessene Belüftung zurückzuführen sein; die Arbeit muss unverzüglich abgebrochen werden und es müssen alle nötigen Schritte unternommen werden, um eine angebrachte Belüftung zu gewährleisten.



- Der Schweißvorgang muss auf Metallschichten durchgeführt werden, die von Rost- oder Farbschichten befreit sind, um die Entstehung schädlicher Dämpfe zu verhindern. Die Teile, die mit einem Lösungsmittel entfettet

wurden, müssen vor dem Schweißen getrocknet werden.

- Schweißen Sie kein Metall oder lackiertes Metall, das Zink, Blei, Kadmium oder Beryllium enthält, es sei denn der Bediener oder die Personen, die dem Qualm ausgesetzt sind, tragen ein Atemgerät oder einen Helm mit Luftzufuhr.

- Der technische oder sanitäre Schutz aller Schweißarbeiter, die direkt oder indirekt in den Schweißvorgang einbezogen sind, ist in den gültigen Regulierungen für die Gesundheit und Vorbeugung von Arbeitsunfällen zu finden.

2.3 SICHERHEITSANWEISUNGEN

Verbinden Sie zu Ihrer eigenen Sicherheit die Quelle mit der Leitung nur unter der genauen Berücksichtigung folgender Anweisungen:

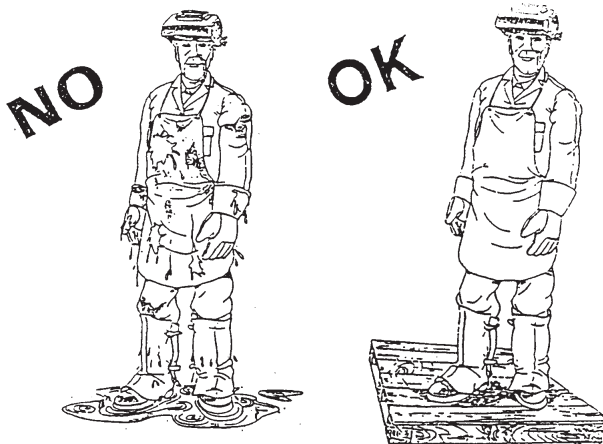
- ein entsprechender zweipoliger Schalter muss vor dem zweipoligen Hauptauslass angebracht werden; dieser Schalter muss mit zeitverzögernden Sicherungen ausgestattet sein und er muss den Daten, die im Kapitel "Technische Spezifikationen" angegeben sind, entsprechen;

- die einphasige Verbindung zur Erde muss mittels einem zweipoligen Stecker, der mit der oben genannten Buchse kompatibel ist, vorgenommen werden;

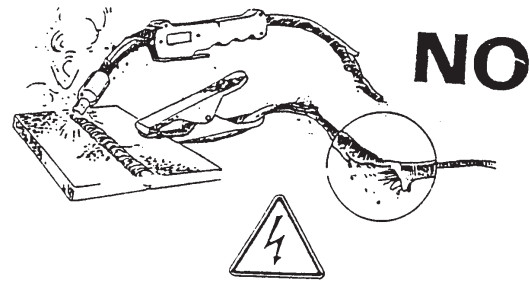
- zwei Drähte des zweipoligen Eingangskabels werden für die Verbindung mit der einphasigen Leitung und dem gelb-grünen Draht für die erforderliche Verbindung zur Erde an der Schweißstelle, verwendet;

- verbinden Sie alle Metallteile, die sich in der Nähe des Bedieners an der Schweißstelle befinden, über Kabel, die größer oder gleich groß wie der Querschnitt des Schweißkabels sind, mit dem Erdanschluss;

- bei der Arbeit an einem begrenzten Ort muss die Stromquelle außerhalb der Schweißstelle bleiben, und das Erdungskabel sollte mit dem Werkstück verschweißt werden; arbeiten Sie unter diesen Bedingungen nicht in einer feuchten oder nassen Umgebung (Abb. 7).



- verwenden Sie keine beschädigten Schweiß- oder Eingangskabel (Abb. 8);



- der Bediener sollte niemals und mit keinem Teil des Körpers Metallteile berühren, die heiß sind oder elektrisch erhitzt wurden (Abb. 9);



- der Bediener sollte die Schweißkabel niemals um seinen Körper wickeln;

- die Schweißpistole sollte niemals auf den Bediener oder eine andere Person gerichtet werden; Die Stromquelle hat einen Schutz der Ebene IP 22; es beugt daher folgendem vor:

- jedem manuellen Kontakt mit heißen oder beweglichen internen Teilen;

- dem Einführen eines jeden Festkörpers mit einem Durchmesser von mehr als 12mm;

- geschützt vor vertikal fallenden Wassertropfen (Kondensation) mit einer Neigung von maximal 15°.

Die Quelle darf niemals ohne die Verkleidungplatten verwendet werden; dies könnte zu ernstesten Verletzungen des Bedieners und zur Beschädigung des Equipments führen.

2.4 BRANDSCHUTZ

Der Arbeitsbereich sollte mit den Sicherheitsregulierungen übereinstimmen und es sollten Feuerlöschgeräte in dem Bereich an Wänden angebracht sein; Decke und Boden sollten nicht entflammbar sein. Alle brennbaren Materialien müssen aus dem Schweißbereich entfernt werden (Abb. 10). Wenn brennbare Materialien nicht bewegt werden können, müssen diese durch feuerbeständige Abdeckungen geschützt werden. Belüften Sie möglicherweise entzündbare Atmosphären vor dem Schweißen. Arbeiten Sie niemals in einer Atmosphäre, die eine schwere Konzentration von Staub, entzündbarem Gas oder brennbaren Flüssigkeiten enthält. Die Stromquelle muss sich in einer sicheren Umgebung befinden, mit einem festen und fla-

chen Boden; sie sollte nicht an die Wand gestellt werden. Verschweißen Sie keine Container, in denen Benzin, Schmiermittel oder andere entflammbare Materialien aufbewahrt wurden. Überprüfen Sie nach der Fertigstellung Ihrer Arbeit immer, dass der Bereich frei von glühenden oder glimmenden Materialien ist.



2.5 SCHUTZGAS

Verwenden Sie für den Schweißvorgang das richtige Schutzgas. Vergewissern Sie sich, dass der Regulator/Durchflussmesser, der auf dem Zylinder angebracht ist, richtig funktioniert. Halten Sie den Zylinder stets von jeglicher Hitzequelle fern.

2.6 ZULÄSSIGE LÄRMPEGEL 86/188/EEC-REGEL.

Unter normalen Umständen überschreitet das Equipment, das zum elektrischen Lichtbogenschweißen genutzt wird, die zugelassenen 80 dBA nicht. Unter bestimmten Voraussetzungen, wie z.B. bei hohen Schmelzparametern an begrenzten Orten, können die Lärmpegel das zulässige Level überschreiten. Aus diesem Grund wird dringend empfohlen, dass die Bediener einen entsprechenden Ohrenschutz tragen.

2.7 ELEKTROMAGNETISCHE KOMPATIBILITÄT.

Nehmen Sie vor der Installation der STICK/TIG-Schweißeinheit eine Inspektion der Umgebung vor, unter Berücksichtigung folgender Richtlinien:

- 1- Vergewissern Sie sich, dass sich in der Nähe des Geräts keine anderen Stromkabel, Steuerleitungen, Telefonleitungen oder anderes Equipment befindet.
- 2- Vergewissern Sie sich, dass sich keine Radioempfänger oder Fernsehgeräte in der Nähe befinden.
- 3- Vergewissern Sie sich, dass sich keine Computer oder andere Steuerungssysteme in der Nähe befinden.
- 4- Vergewissern Sie sich, dass sich niemand

mit einem Herzschrittmacher oder Hörgerät in dem Bereich um das Gerät befindet. 5-Überprüfen Sie die Sicherheit von anderen Geräten, die sich in der selben Umgebung befinden.

In bestimmten Fällen können weitere zusätzliche Sicherheitsmaßnahmen erforderlich sein.

Störungen können wie folgt reduziert werden:

- 1- Sollte es eine Störung bei der Stromleitung geben, sollte ein E.M.C.-Filter zwischen dem Stromnetz und der Einheit angebracht werden.
- 2- Die Ausgangskabel der Einheit sollten gekürzt werden; diese sollten nahe beieinander gehalten werden und am Boden entlanggeführt werden.
- 3- Alle Verkleidungsplatten der Einheit sollten korrekt geschlossen werden, nachdem die Wartung durchgeführt wurde.

2.8 MEDIZINISCHE BEHANDLUNG UND NOTFALLBEHANDLUNG

Notfalleinrichtungen und eine qualifizierte Erste Hilfe-Person sollten während jeder Schicht für die unverzügliche Behandlung von Elektroschock-Opfern vor Ort sein. Eine medizinische Einrichtung sollte für die unverzügliche Behandlung von Verbrennungen am Auge und Hautverbrennungen in der Nähe sein.

IM NOTFALL (ERSTE HILFE):

Rufen Sie sofort einen Arzt und den Krankenwagen.

Wenden Sie Erste Hilfe-Techniken an, die vom Roten Kreuz empfohlen werden.

ACHTUNG: EIN ELEKTROSCHOCK KANN TÖDLICH SEIN

Sollte eine Person bewusstlos sein und besteht der Verdacht auf einen Elektroschock, berühren Sie diese Person nicht, wenn sie in Kontakt mit Schweiß-Equipment oder anderen spannungsführenden Teilen ist. Trennen Sie (offenen) Strom über den Wandschalter und wenden Sie dann Erste Hilfe an. Trockenes Holz, Holzbesen oder andere Isoliermaterialien können verwendet werden, um

Kabel, wenn nötig, von der Person zu bewegen.


3.0 KURZE EINFÜHRUNG

Ihr Schweißgerät gehört zu einer Auswahl an Schweiß-Invertern für MMA - Manual Metal Arc-Schweißen, die die neueste Pulsweitenmodulation (PWM)-Technologie und das Insulated Gate Bipolar Transistor (IGBT)-Leistungsmodul einsetzen, um eine optimale Leistung zu bieten: Konstanter Stromausgang, um den Schweißbogen stabiler zu machen und eine stufenlose Stromregelung zu erreichen. Alle Inverter sind mit automatischen Schutzfunktionen ausgestattet: Überspannung, Überstrom und Übertemperatur.


3.1 TECHNISCHE DATEN

HINWEIS: die unten genannten Daten können von den Daten der technischen Tabelle für die Einheit abweichen. Bitte nehmen Sie immer Bezug auf die technische Datentabelle der Einheit.


W130

	(1 ph)	230V 50/60Hz
Power 60%	KVA	2,7
U _o	V	60
Amp. Min-Max	A ±10%	5 ÷ 130
Amp. 60974-1	A	20% 130 60% 75
Ø E	mm	1,6 ÷ 3,25
Insulation	-	H
Protec. Degree	-	IP22

W160

	(1 ph)	230V 50/60HZ
Power 60%	KVA	4,2
U _o	V	65
Amp. Min-Max	A ±10%	5 ÷ 160
Amp. 60974-1	A	30% 160 60% 115
Ø E	mm	1,6 ÷ 4
Insulation	-	H
Protec. Degree	-	IP22

W200

	(1 ph)	230V 50/60HZ
Power 60%	KVA	6
U _o	V	65
Amp. Min-Max	A ±10%	5 ÷ 200
Amp. 60974-1	A	25% 200 60% 120
Ø E	mm	1,6 ÷ 5
Insulation	-	H
Protec. Degree	-	IP22

4.0 INSTALLATION DES EQUIPMENTS

Der einwandfreie Betrieb des Generators wird durch die entsprechende Installation sichergestellt. Der Zusammenbau des Inverters ist durch Experten durchzuführen, indem die Anweisungen der Sicherheitsstandards vollständig befolgt werden.

- Nehmen Sie das Schweißgerät aus dem Karton.

ÜBERPRÜFEN SIE VOR DER HERSTELLUNG EINER ELEKTRISCHEN VERBINDUNG DAS TYPENSCHILD UND VERGEWISSEN SIE SICH, DASS DIE EINGANGSSPANNUNG UND DIE FREQUENZ DES ZU VERWENDENDEN STROMNETZES MITEINANDER ÜBEREINSTIMMEN.

ERDUNG

- Zum Schutz der Anwender müssen die Schweißmaschinen korrekt mit dem Erdsystem (INTERNATIONALE SICHERHEITSREGULIERUNGEN) verbunden sein.

- Es ist unabdingbar, die Maschine korrekt mit der gelb-grünen Ader des Stromkabels zu erden, um Ableitungen auf Grund von versehentlichen Kontakten durch geerdete Objekte zu verhindern.

- Das Gehäuse (das leitend ist), ist elektrisch mit dem Erdungsleiter verbunden. Ist das Equipment nicht korrekt geerdet, können Elektroschocks auftreten, die für die Anwender gefährlich sind.

- Schließen Sie den Inverter an das Stromnetz an.

Verwenden Sie den Generator nicht mit Eingangskabelverlängerungen, die länger als 10m und dünner als 2,5mm² sind. Vergewissern Sie sich, dass die Kabel ausgelegt sind und nicht gewickelt oder verheddert sind.

Verwenden Sie das Schweißgerät nicht, wenn die Verkleidungsplatten seitlich oder vollständig entfernt sind, um den versehentlichen Kontakt mit inneren spannungsführenden Teilen zu verhindern.

- Der Inverter steht nun zur Nutzung bereit. Vergewissern Sie sich, dass Sie in einem angemessenen belüfteten Bereich schweißen, und dass die Lüftungsöffnungen der Maschine nicht versperrt sind (eine schlechte Belüftung kann den Auslastungsgrad der Einheit verringern und Schäden verursachen). Sie können nun den Schweißvorgang auswählen, indem Sie die Komponenten so verbinden, wie auf den folgenden Seiten gezeigt wird.

5.0 INVERTERFUNKTIONEN UND ANSCHLÜSSE



1 Anpassung des Schweißstrom-Potentiometers

2 Auswahl MMA / WIG (nur bei den Modellen, die es haben)

3 Grüne LED, Anzeige für Power EIN

LED EIN = Power EIN

LED AUS = Power AUS

Überspannungsschutz (setzen Sie die Einheit durch das Ausschalten zurück, warten Sie 20 Sekunden und schalten Sie die Einheit dann an)

4 Gelbe LED

LED EIN = zeigt an, dass Temperaturlimits überschritten wurden.

Warnung: Lassen Sie die Einheit abkühlen. Wenn bereit, schaltet sich die orangefarbene LED automatisch aus.

LED EIN = zeigt einen Alarmzustand auf Grund eines Überstroms an. Schalten Sie die Einheit aus und dann an. Im Falle eines Schutzeingriffs auf Grund einer Stromspitze wird die Einheit wieder automatisch den Betrieb aufnehmen. Falls nicht, kontaktieren Sie bitte Ihr Kunden-

denzentrum.

5 Dinse-Positivmuffe

6 Dinse-Negativmuffe

7 Eingangskabel

8 EIN/AUS-Schalter

6.0 STICK-SCHWEISSEN

Allgemeine Informationen

Der elektrische Lichtbogen kann als eine Quelle von hellem Licht und starker Hitze beschrieben werden; tatsächlich ist es der Fluss des elektrischen Stroms in der Gasatmosphäre, welche die Elektrode umgibt; das Werkstück beendet die Strahlung der elektromagnetischen Wellen, die als Licht und/oder Hitze wahrgenommen werden, je nach Wellenlänge. Auf einer nicht wahrnehmbaren Ebene produziert der Bogen außerdem ultraviolettes und infrarotes Licht; ionisierende Strahlen wurden noch nicht festgestellt. Die Hitze, die durch den Bogen erzeugt wird, wird im Schweißvorgang genutzt, um Metallteile zu schmelzen und miteinander zu verbinden. Der benötigte elektrische Strom wird über ein spezielles Equipment zugeführt, das üblicherweise als Schweißmaschine bezeichnet wird.

- Verbinden Sie das Netzkabel mit dem Negativpol des Inverters und die Masseklemme mit dem Werkstück.

- Verbinden Sie das Schweißkabel mit dem positiven Pol des Inverters.

- Stellen Sie den Schweißstrom mit Hilfe des Potentiometers an der Vorderseite ein. Der Schweißstrom sollte an Hand der Anweisungen ausgewählt werden, die von Elektrodenherstellern auf der Elektrodenbox angegeben sind, aber die folgenden Angaben dienen als allgemeine Information:

Elektroden Durchmesser	Schweißstrom
1.5 mm	30A - 40A
2.0 mm	50A - 65A
2.5 mm	70A - 100A
3.25 mm	100A - 140A
4.0 mm	140A - 160A

- Schalten Sie den Inverter an. Die zwei LED auf der Vorderseite werden entsprechend grün sein = aufgeleuchtet und die gelbe LED = aus (siehe für weitere Details die vorherige Seite).

Stellen Sie das MMA-Schweißen über den Schalter an der Vorderseite ein.

- Schützen Sie Ihr Gesicht mit einer Maske oder einem Helm. Berühren Sie mit der Elektrode, die im Elektrodenhalter befestigt ist, das Werkstück, bis ein Lichtbogen schlägt (der Inverter verfügt über einen „Hot Start“, um das Durchschlagen zu verbessern).

Vermeiden Sie das Aushämmern des Werkstücks mit der Elektrode, da es seine Beschichtung verlieren kann und die Schwierigkeiten beim Durchschlagen des Lichtbogens erhöhen kann.

- Nach dem Schlagen des Lichtbogens drücken Sie die Elektrode in das Schweißbad, mit einem Winkel von ungefähr 60°, und bewegen Sie diese von links nach rechts, sodass Sie das Schweißen kontrollieren können. Die Länge des Lichtbogens kann auch kontrolliert werden, indem die Elektrode leicht angehoben oder gesenkt wird. Auch die Veränderung des Schweißwinkels kann das Schweißbad vergrößern und somit die Kapazität der Schlackenfläche erhöhen.

- Lassen Sie die Schlacke am Ende des Schweißvorgangs abkühlen, bevor Sie diese mit dem Bürstenhammer entfernen.

ACHTUNG:

Schützen Sie beim Abschlagen der Schlacke mit dem Schlackenhammer Ihre Augen, um Verletzungen zu vermeiden.

ACHTUNG:

Ein schlechter Start kann auf ein unsauberes Werkstück, eine schlechte Verbindung zwischen dem Massekabel und dem Werkstück, oder eine schlechte Befestigung der Elektrode im Elektrodenhalter zurückzuführen sein.

7.0 QUALITÄT DER SCHWEISSNAHT

Die Qualität der Schweißnaht hängt hauptsächlich von der Fähigkeit des Schweißers ab, von der Art des Schweißens und der Qualität der Elektrode: Wählen Sie die richtige Elektrode, bevor Sie mit dem Schweißen beginnen, und achten Sie auf die Dicke und Zusammensetzung des zu schweißenden Metalls.

Richtiger Schweißstrom.

Wenn der Strom zu hoch ist, brennt die Elektrode schnell und das Schweißbad wird groß, unregelmäßig und schwierig zu kontrollieren. Wenn der Strom zu niedrig ist, haben Sie zu wenig Leistung und das Schweißbad wird klein und unregelmäßig.

Richtige Lichtbogenlänge.

Wenn der Lichtbogen zu lang ist, werden Spritzer und eine kleine Verschmelzung des Werkstücks auftreten. Wenn der Lichtbogen zu kurz ist, ist die Lichtbogenhitze nicht ausreichend, was dazu führt, dass die Elektrode am Werkstück haften bleibt.

Richtige Schweißgeschwindigkeit.

Die richtige Schweißgeschwindigkeit wird so gewählt, dass eine Schweißnaht von geeigneter Größe, ohne Wellen oder Krater, entsteht.

8.0 WIG-SCHWEISSEN

Der TIG-Vorgang verwendet den elektrischen Lichtbogen, der zwischen der Wolfram-Elektrode des Brennergriffs und der Oberfläche des Werkstücks einschlägt.

Beim TIG-Schmelzen ist der Brennergriff stets mit dem Negativpol des Schweißgeräts verbunden.

Vorbereitung des Schweißgeräts:

- Stellen Sie das TIG-Schweißen mit dem Wählschalter an der Vorderseite ein.

- Verbinden Sie das Erdungskabel mit dem Positivpol des Schweißgeräts und die Masseklemme mit dem Werkstück.

- Verbinden Sie den TIG-Brennergriff mit dem Negativpol des Schweißgeräts und den Gas Schlauch mit dem Druckregler des Gaszylinders.

Der Gasfluss wird manuell mit dem Knopf auf dem Brennergriff geregelt. Verwenden Sie ausschließlich Inertgas (Argon).

- Schalten Sie den Inverter an.

9.0 WIG-SCHWEISSEN MIT DEM SCRATCH-LICHTBOGEN

- Vergewissern Sie sich, dass die Elektrode an der Brennergriffdüse 4 - 5mm hinaussteht und stellen Sie zudem sicher, dass die Elektrode spitz mit einem Winkel von 40°-60° ausgerichtet ist.

- Stellen Sie den Schweißstrom, unter Berücksichtigung der Dicke des zu schweißenden Materials und des Durchmessers der zu verwendenden Wolfram-Elektrode, ein.

- Öffnen Sie das Gasventil am Brennergriff, damit das Gas aus der Düse des Brennergriffs fließen kann. Bedecken Sie Ihr Gesicht mit einem Kopfschutz, bringen Sie den Brennergriff 3-4mm an das Werkstück, mit einem Winkel von 45°, sodass die Keramikdüse sanft die

Oberfläche des Werkstücks berührt (Abb. b). Kratzen Sie die Spitze der Elektrode, bis sich ein Lichtbogen bildet, nehmen Sie die Elektrode schnell zurück und halten Sie einen Abstand von ca. 3-4mm, um das Schweißen fortzusetzen. Um das Schweißen zu beenden, entfernen Sie einfach den Brennergriff vom Werkstück. Denken Sie daran, das Gas **SOFORT ABZUDREHEN**, sobald Sie mit dem Schweißen fertig sind.

Um Beschädigungen am Generator zu vermeiden, empfehlen wir, dass nur geschulte Personen das Schweißen mit dem SCRATCH-LICHTBOGEN durchführen.

HINWEISE:

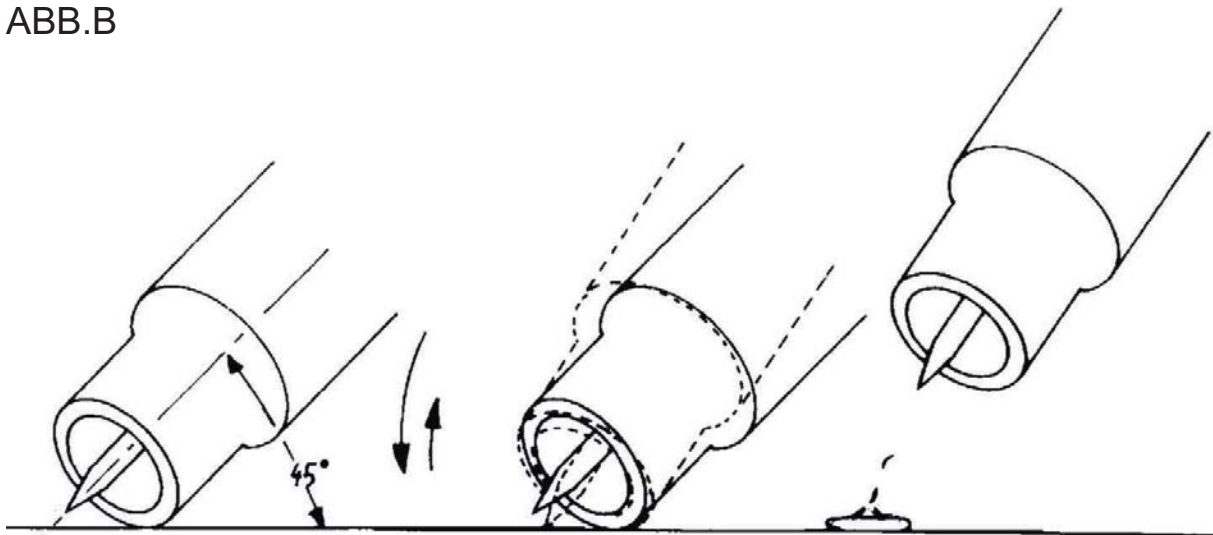
- a) Die Lichtbogenlänge variiert normalerweise zwischen 3 und 6mm, je nach Art der Schweißnaht, Art und Dicke des Materials, usw.
- b) Der Brennergriff wird in Richtung der Schweißnaht geführt, ohne seitliche Bewegungen, und der Winkel des Brennergriffs von 45° zum Werkstück wird eingehalten.

ABB.A



Gasventil

ABB.B



10.0 GEWÖHNLICHE WARTUNG ACHTUNG!!!

TRENNEN SIE DIE MASCHINE VON DER STROMVERSORGUNG, BEVOR SIE MIT DER WARTUNG BEGINNEN.

Das Leistungsvermögen des Schweißsystems über die Zeit steht in direkter Beziehung zur Häufigkeit der Wartungsarbeiten, wie: Wartungsarbeiten an Schweißmaschinen dürfen nur innen durchgeführt werden. Je staubiger die Arbeitsumgebung, desto öfters sollte die Maschine gewartet werden.

- Nehmen Sie den Deckel ab.
- Entfernen Sie jegliche Staubspuren im Inneren des Generators mit Druckluft unter 3kg/cm.
- Überprüfen Sie alle elektrischen Verbindungen und stellen Sie sicher, dass alle Muttern und Schrauben fest angezogen sind.
- Ersetzen Sie alte Teile nicht zu spät.
- Setzen Sie den Deckel wieder auf.
- Nach dem Beenden der obigen Arbeiten kann der Generator wieder einfach mit den Anweisungen in diesem Handbuch gestartet werden.

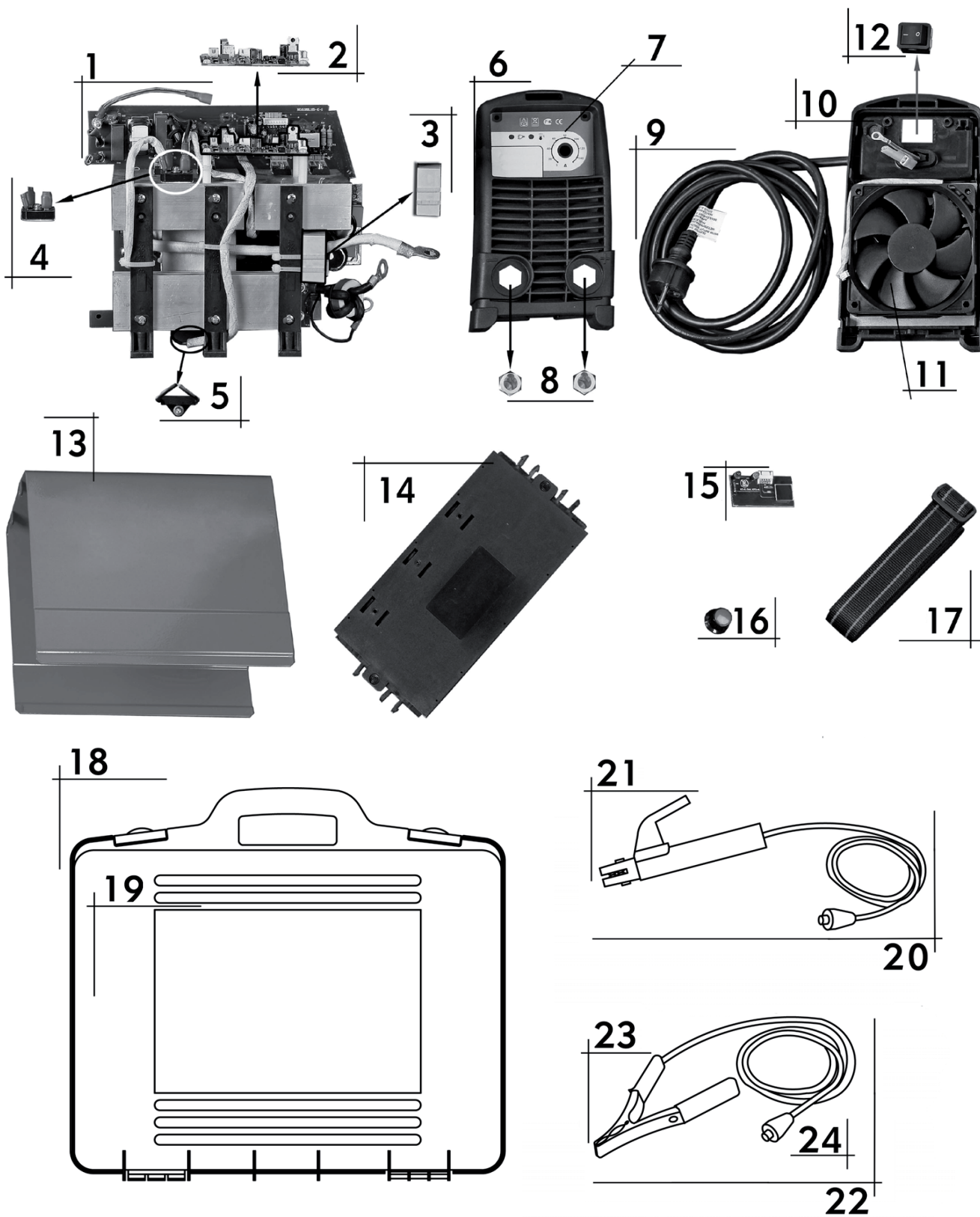
11.0 MÖGLICHE SCHWEISSFEHLER

DEFEKT	URSACHEN	EMPFEHLUNGEN
POROSITÄT	Säure; Elektrode auf Stahl mit erhöhtem Schwefelgehalt. Die Elektrode oszilliert zu sehr. Werkstücke sind zu weit voneinander entfernt. Das zu schweißende Werkstück ist kalt.	Verwenden Sie die Standard-Elektroden. Legen Sie die Kanten, die miteinander verschweißt werden sollen, näher aneinander. Zu Beginn langsam bewegen. Schweißstrom verringern.
RISSE	Das zu schmelzende Material ist nicht sauber (z.B. Öl, Farbe, Rost, Oxide). Nicht genügend Strom.	Das Säubern der Werkstücke vor dem Schweißen ist eine notwendige Methode, um saubere Schweißnähte zu erhalten.
BEGRENZTE PENETRATION	Niedriger Strom. Hohe Schweißrate. Umgekehrte Polarität. Elektrode gegen die Bewegungsrichtung geneigt.	Vergewissern Sie sich, dass die Betriebsparameter reguliert sind und bereiten Sie die Werkstücke besser vor.
STARKE SPRITZER	Elektrode zu stark geneigt.	Nehmen Sie entsprechende Korrekturen vor.
PROFILDEFEKTE	Schweißparameter sind nicht korrekt. Passrate steht nicht mit den Anforderungen der Betriebsparameter in Bezug.	Befolgen Sie die grundlegenden und allgemeinen Schweißgrundsätze.
LICHTBOGEN-INSTABILITÄT	Nicht genügend Strom.	Überprüfen Sie den Zustand der Elektrode und die Massekabel-Verbindung.
ELEKTRODE SCHMILZT SCHIEF AB	Elektrodenkern ist nicht zentral ausgerichtet. Magnetisches Blasphänomen.	Elektrode ersetzen. Verbinden Sie zwei Massekabel mit den Gegenseiten des Werkstücks.

12.0 FEHLERBEHEBUNG

UNANNEHMLICHKEIT	URSACHE	LÖSUNG
FUNKEN SCHLÄGT NICHT	Schlechte Primärverbindung. PCB des Inverters ist defekt.	Überprüfen Sie die Primärverbindung. Kontaktieren Sie das After Sales-Kundenzentrum.
KEINE AUSGANGSSPANNUNG	Überhitzte Einheit, gelbe LED leuchtet Überspannungsschutz, grüne LED aus. Überstromschutz, gelbe LED leuchtet. Internes Relais ist ausgefallen. PCB des Inverters ist defekt.	Warten Sie auf die Zurücksetzung der thermischen Abschaltung. Überprüfen Sie die Stromleitung. Setzen Sie die Einheit zurück, indem Sie diese ausschalten und nach 20 Sekunden wieder einschalten. Setzen Sie die Einheit zurück, indem Sie diese ausschalten und nach 20 Sekunden wieder einschalten. Wenn die Einheit den Betrieb nicht wieder aufnimmt, kontaktieren Sie bitte das After Sales-Kundenzentrum. Kontaktieren Sie das After Sales-Kundenzentrum. Kontaktieren Sie das After Sales-Kundenzentrum.
FALSCHER AUSGANGSSTROM	Defektes Steuerungspotentiometer. Niedrige Primärspannungsversorgung.	Kontaktieren Sie das After Sales-Kundenzentrum. Überprüfen Sie die Stromleitung.

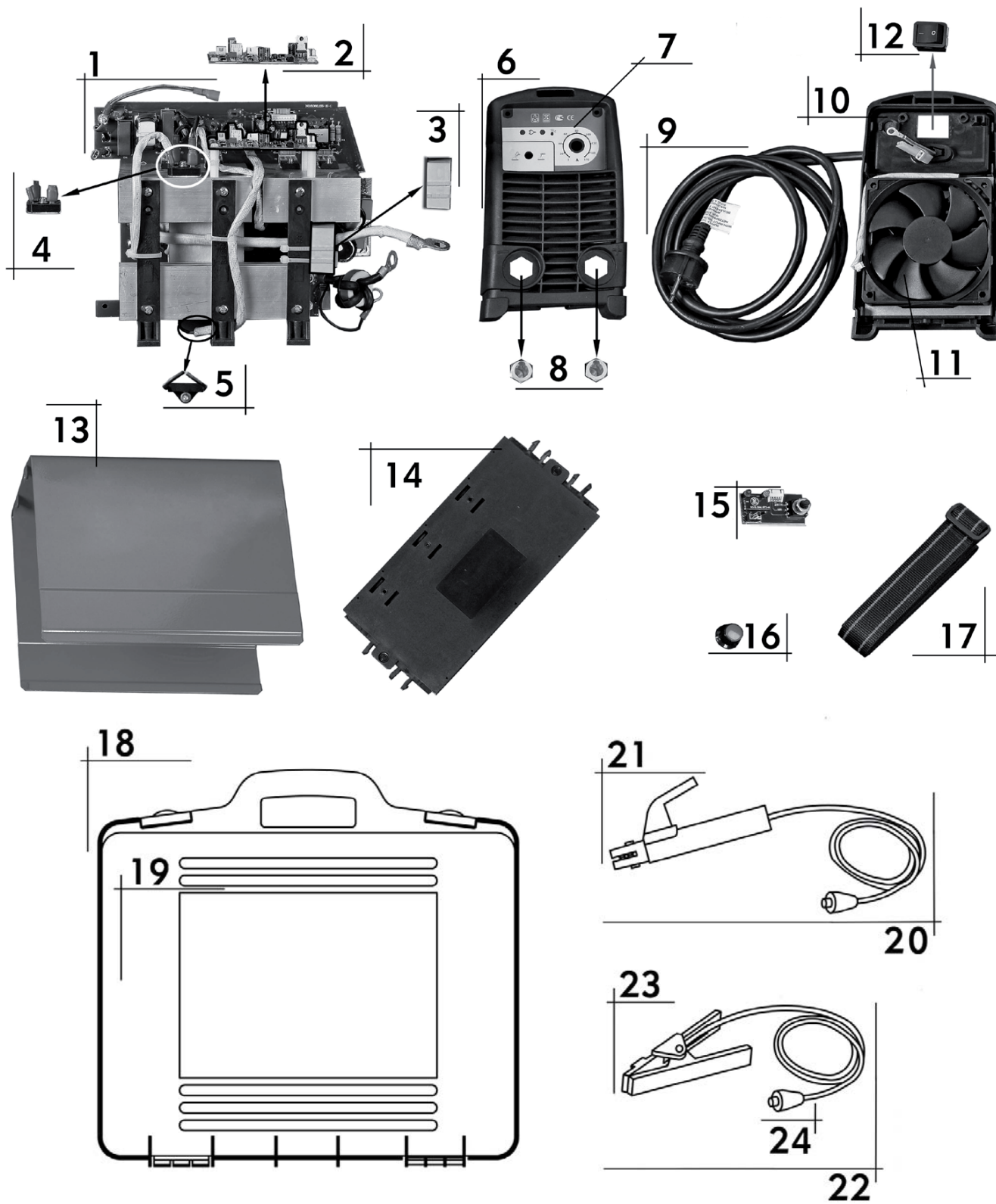
13.0 PARTS DRAWINGS / EXPLOSIONZEICHNUNG - W130



13.1 PARTS LIST / ERSATZTEILLISTE - W130

NO.	ITEM	NO.
01 22735249	MOTHER PCB - HAUPTTE PRINTPLATTE	1
02 22735254	CONTROL PCB - KONTROLLPRINTPLATTE	1
03 26075012	CURRENT TRANSDUCER YNC-200A 4.0 -	1
04 22405008	RECTIFIER - GLEICHRICHTER	1
05 22225323	THERMAL RELAY - THERMALRELAIS	1
06 21690617	FRONT PLASTIC PANEL - FRONTPLATTE AUS KUNSTSTOFF	1
07 77650176	FRONT SETTING LABEL - FRONTETIKETT W130 HITACHI	1
08 22100002	FEMALE DINSE PLUG 25SQMM CX30 - DINSE STECKBUCHSE	2
09 20220016	INPUT CABLE 3X1,5 M 2,5 +SHUCO PLUG - NETZKABEL	1
10 21690618	BACK PLASTIC PANEL - RÜCKSEITEPLATTE AUS KUNSTSTOFF	1
11 26089003	FAN JD9025HS2 DC24V 0,28A - VENTILATOR	1
12 22200043	DOUBLE POLE SWITCH - 2 POLIG SCHALTER	1
13 33705601 6035	COVER PANEL - VERKLEIDUNG	1
14 21690623	LOWER PLASTIC PANEL - BODENPLATTE AUS KUNSTSTOFF	1
15 22735255	FRONT PANEL PCB - FRONTPRINTPLATTE	1
16 21690616	POTENTIOMETER KNOB D.25 BLACK - POTENTIOMETERKNOPF	1
17 21600053	BELT L=1500 BLACK + RING - GURT	1
18 21690597	BLACK PLASTIC CASE - KUNSTSTOFFKOFFER	1
19 77605569	PACKAGING LABEL FOR CASE W130 - VERPACKUNGSETIKETT	1
20 43205054	WELDING CABLE 10 MM2 M 2,4 C.352/DN25 - SCHWEISSKABEL	1
21 22110011	ELECTRODE HOLDER ART.352 - ELEKTRODENKLEMME	1
22 43210006	EARTH CABLE 10 SQMM M 1,6 C.120/DN25 - MASSEKABEL	1
23 22110005	EARTH CLAMP 120A - MASSEKLEMME	1
24 22100001	DINSE PLUG 25SQMM CX20 - DINSE STECKER	2

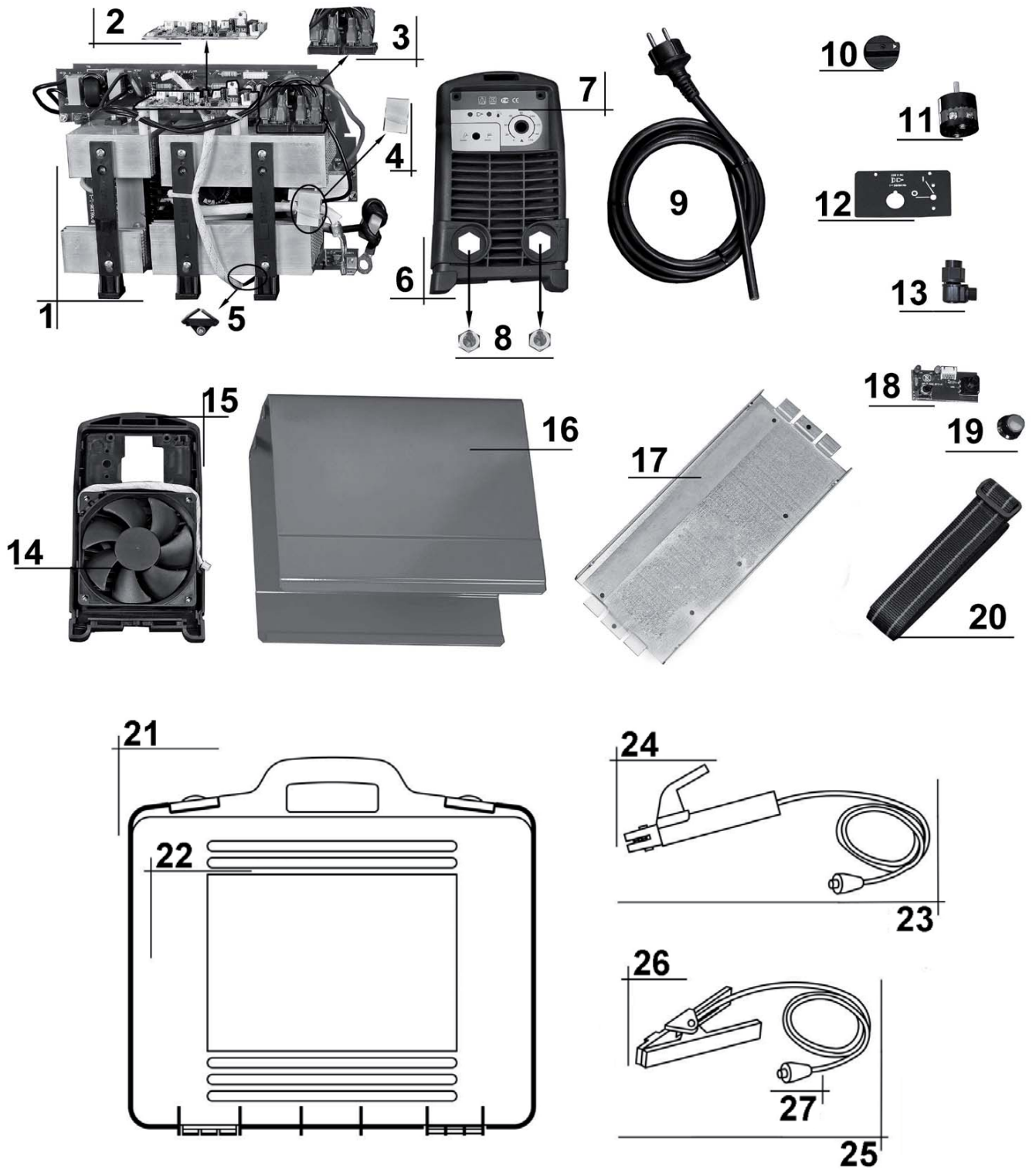
14.0 PARTS DRAWINGS / EXPLOSIONZEICHNUNG - W160



14.1 PARTS LIST / ERSATZTEILLISTE - W160

NO.	ITEM	NO.
01	22735250 MOTHER PCB - HAUPTTE PRINTPLATTE	1
02	22735244 CONTROL PCB - KONTROLLPRINTPLATTE	1
03	26075012 CURRENT TRANSDUCER YNC-200A 4.0V	1
04	22405007 RECTIFIER MSC GBPC 5010 - GLEICHRICHTER	1
05	22225323 THERMAL RELAY - THERMALRELAIS	1
06	21690619 FRONT PLASTIC PANEL - FRONTPLATTE AUS KUNSTSTOFF	1
07	77650177 FRONT SETTING LABEL - FRONTETIKETT W160 HITACHI	1
08	22100004 DINSE SOCKET 50SQMM CX31 - DINSE STECKBUCHSE	2
09	20220022 INPUT CABLE 3X2,5 M 2,5 WITH SHUKO PLUG - NETZKABEL	1
10	21690620 BACK PLASTIC PANEL - RÜCKSEITEPLATTE AUS KUNSTSTOFF	1
11	26089004 FAN AG12024XB257100 DC24V 0,46A - VENTILATOR	1
12	22200043 DOUBLE POLE SWITCH - 2 POLIG SCHALTER	1
13	33705602 6035 COVER PANEL - VERKLEIDUNG	1
14	21690624 LOWER PLASTIC PANEL - BODENPLATTE AUS KUNSTSTOFF	1
15	22735247 FRONT PANEL PCB - FRONTPRINTPLATTE	1
16	21690616 POTENTIOMETER KNOB D.25 BLACK - POTENTIOMETERKNOPF	1
17	21600053 BELT L=1500 BLACK + RING - GURT	1
18	21690609 BLACK PLASTIC CASE - KUNSTSTOFFKOFFER	1
19	77605570 PACKAGING LABEL FOR CASE W160 - VERPACKUNGSETIKETT	1
20	43205098 WELDING CABLE 16MM2 M3 200A EL.HOL./DN50 - SCHWEISSKABEL	1
21	22110034 ELECTRODE HOLDER 200A - ELEKTRODENKLEMME	1
22	43210187 EARTH CABLE 16MM2 2M 200A CLAMP/DN50 - MASSEKABEL	1
23	22110007 EARTH CLAMP ART.261 - OK 150-200A - MASSEKLEMME	1
24	22100003 DINSE PLUG 50SQMM CX22 - DINSE STECKER	2

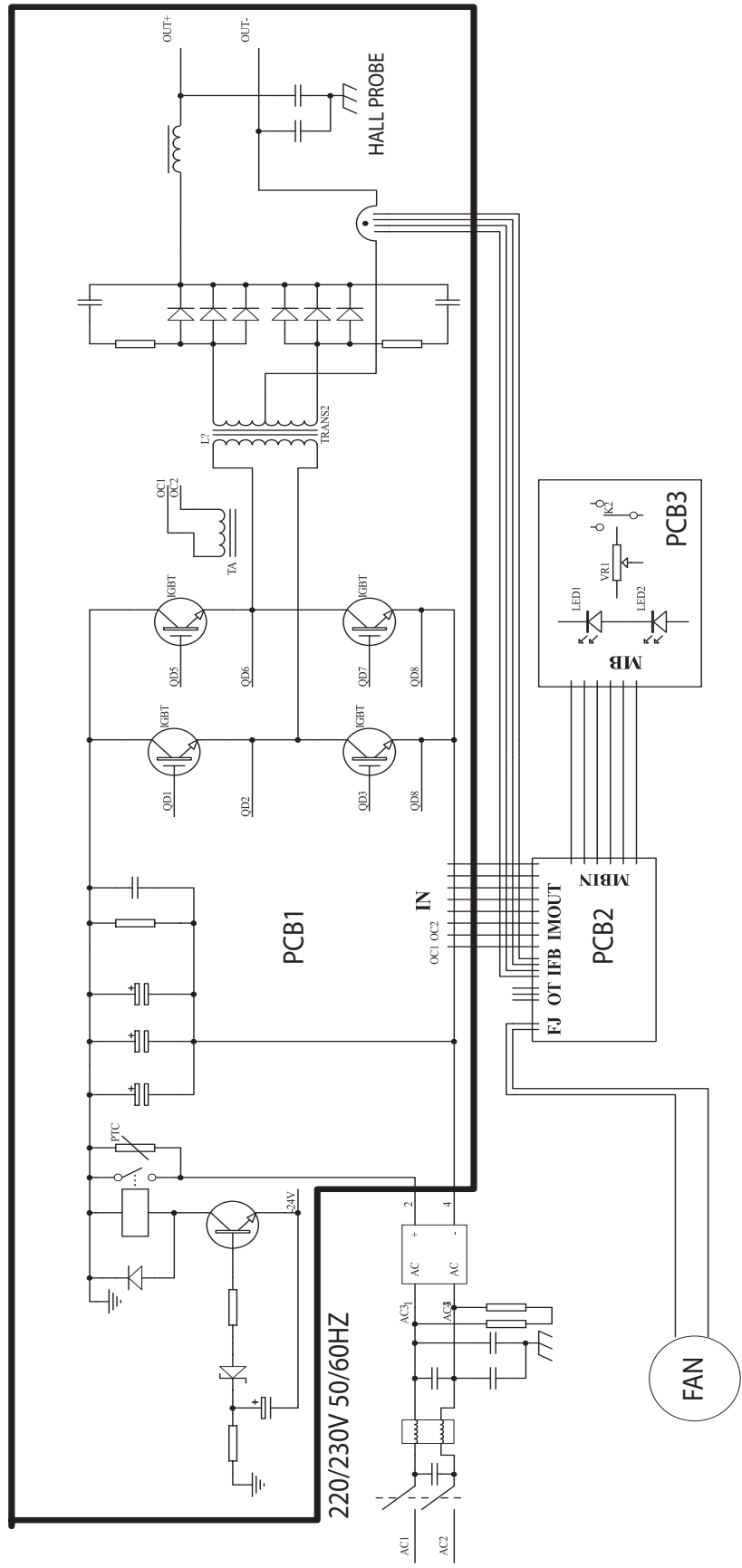
15.0 PARTS DRAWINGS / EXPLOSIONZEICHNUNG - W200



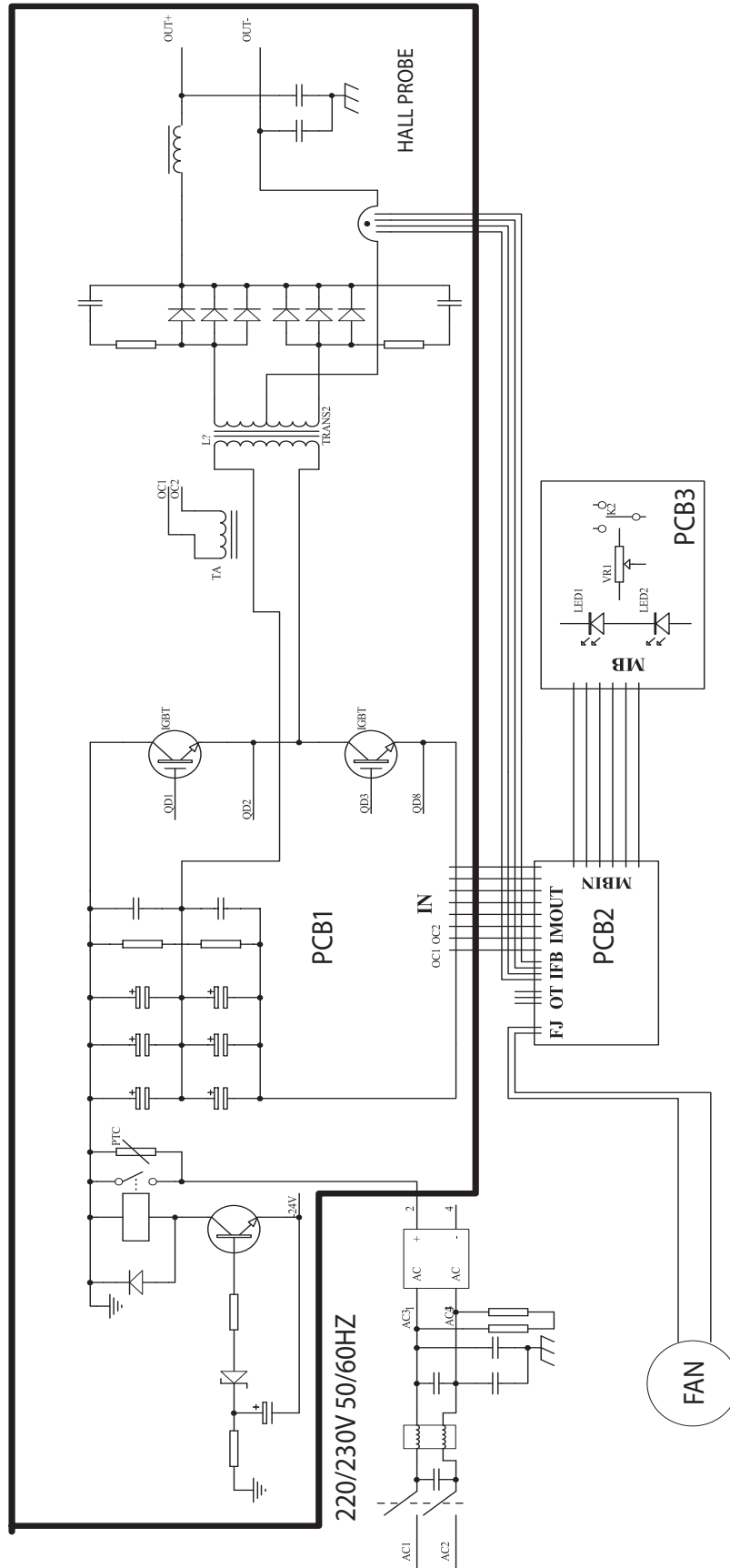
15.1 PARTS LIST / ERSATZTEILLISTE - W200

NO.	ITEM	NO.
01 22735252	MOTHER PCB - HAUPTTE PRINTPLATTE	1
02 22735245	CONTROL PCB - KONTROLLPRINTPLATTE	1
03 22405007	RECTIFIER MSC GBPC 5010 - GLEICHRICHTER	2
04 26075012	CURRENT TRANSDUCER YNC-200A 4.0V	1
05 22225323	THERMAL RELAY - THERMALRELAIS	1
06 21690619	FRONT PLASTIC PANEL - FRONTPLATTE AUS KUNSTSTOFF	1
07 77650204	FRONT SETTING LABEL - FRONTETIKETT W200 HITACHI	1
08 22100004	DINSE SOCKET 50SQMM CX31 - DINSE STECKBUCHSE	2
09 20220022	INPUT CABLE 3X2,5 M 2,5 WITH SHUKO PLUG - NETZKABEL	1
10 21690179	SWITCH KNOB - SCHALTERKNOPF	1
11 22205124	SWITCH 17A - SCHALTER 17A	1
12 33715165 9005	BACK PLATE W200 - RÜCKSEITEPLATTE AUS METALL	1
13 21605034	CABLE CLAMP - KABELBEFESTIGUNG	1
14 26089004	FAN AG12024XB257100 DC24V 0,46A - VENTILATOR	1
15 21690620	BACK PLASTIC PANEL - RÜCKSEITEPLATTE AUS KUNSTSTOFF	1
16 33705615 6035	COVER PANEL - VERKLEIDUNG	1
17 33600311	LOWER METAL PANEL - BODENPLATTE AUS METALL	1
18 22735247	FRONT PANEL PCB - FRONTPRINTPLATTE	1
19 21690616	POTENTIOMETER KNOB D.25 BLACK - POTENTIOMETERKNOPF	1
20 21600053	BELT L=1500 BLACK + RING - GURT	1
21 21690628	BLACK PLASTIC CASE - KUNSTSTOFFKOFFER	1
22 77605599	PACKAGING LABEL FOR CASE W160 - VERPACKUNGSETIKETT	1
23 43205097	WELDING CABLE 25MM2 M3 200A EL.HOL./DN50 - SCHWEISSKABEL	1
21 22110034	ELECTRODE HOLDER 200A - ELEKTRODENKLEMME	1
22 43210170	EARTH CABLE 25MM2 2M 300A CLAMP/DN50 - MASSEKABEL	1
23 22110033	EARTH CLAMP 300A - MASSEKLEMME	1
24 22100003	DINSE PLUG 50SQMM CX22 - DINSE STECKER	2

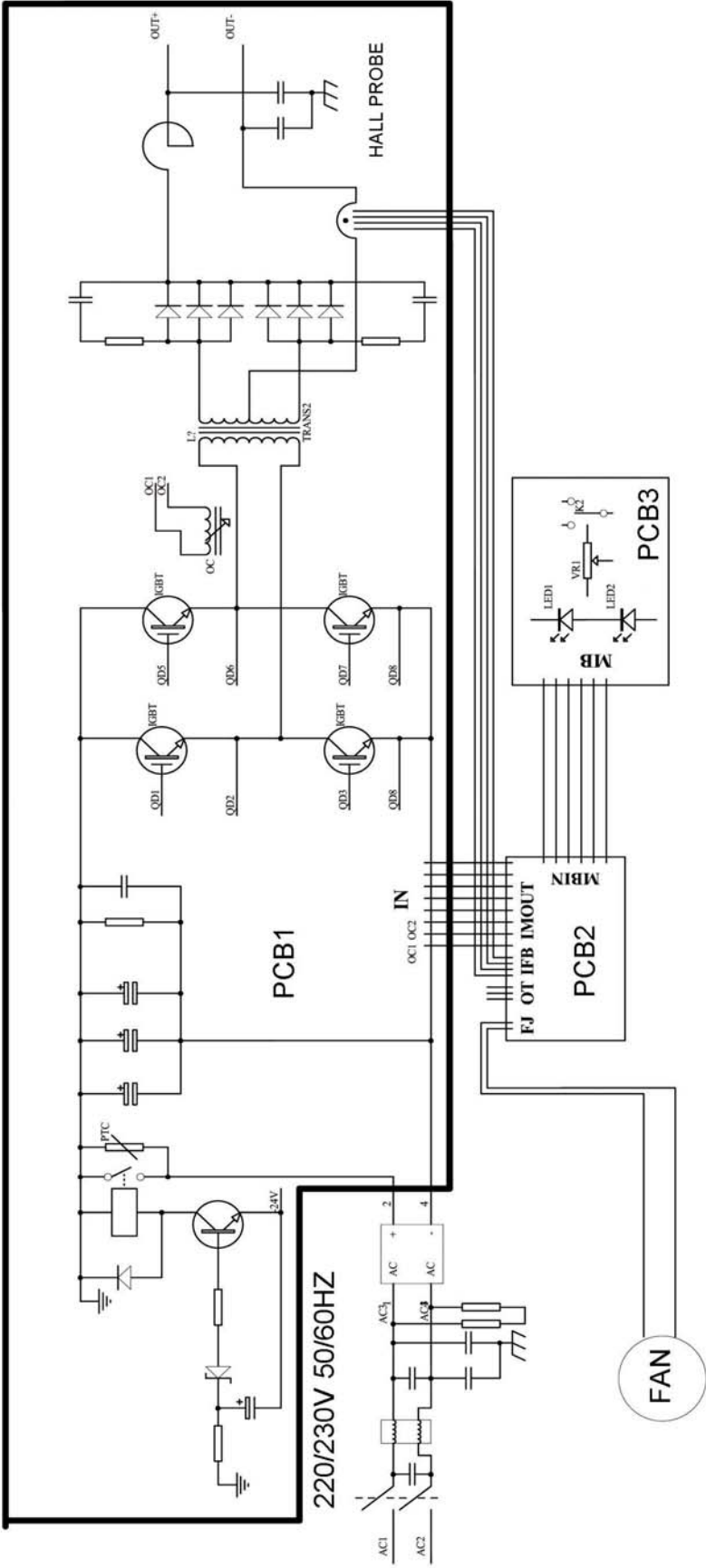
16.0 WIRING DIAGRAM / SCHALTPLAN - W130



17.0 WIRING DIAGRAM / SCHALTPLAN - W160



18.0 WIRING DIAGRAM / SCHALTPLAN - W200



ГАРАНТИЙНЫЕ УСЛОВИЯ

Компания **HITACHI** выражает Вам свою признательность за сделанный Вами выбор и гарантирует высокое качество продукции **HITACHI** при соблюдении всех требований инструкции по эксплуатации.

Убедительно просим Вас внимательно изучить инструкцию по эксплуатации. Срок гарантии – 12 месяцев со дня продажи. По всем вопросам, касающимся гарантийного ремонта аппаратов **HITACHI W130** и **HITACHI W160**, обращайтесь в ближайший к Вам авторизованный Сервисный центр. Список авторизованных Сервисных центров указан в Приложении №1.

Тщательно проверьте внешний вид товара и его комплектность, указанную в руководстве по эксплуатации.

Все претензии по внешнему виду и комплектности предъявляйте продавцу при принятии товара.

Условия гарантии

1. Настоящая гарантия действительна при соблюдении следующих условий:
 - Правильное и четкое заполнение гарантийного талона с указанием серийного номера изделия, даты продажи, четкими печатями фирмы – Продавца.
 - Гарантия недействительна, если гарантийный талон неправильно или не полностью заполнен, с подчистками и исправлениями.
 - Гарантия недействительна, если серийный номер на изделии удален, стерт, изменен или неразборчив.
2. Гарантийное обслуживание выполняется бесплатно, включая выполнение ремонтных работ и стоимость необходимых материалов.
3. Доставка оборудования, подлежащего гарантийному ремонту, в сервисную службу и обратно осуществляется силами клиента и за его счет, если иное не оговорено в дополнительном письменном соглашении.
4. Настоящая гарантия не распространяется на периодическое обслуживание и ремонт или замену частей в связи с их естественным износом;
5. Гарантийный ремонт не включает в себя расходы, связанные с заменой расходных материалов и ремонтом внешних деталей (кабели, электрододержатель, горелка, корпус и т.п.) и дополнительных принадлежностей.
6. Все узлы и компоненты, являющиеся частью неисправного (заявленного на гарантийное обслуживание) оборудования, замененные в течение гарантийного периода, наследуют гарантийный период и условия всего изделия в целом, т.е. : ни на данные компоненты, ни на изделие в целом не предусматривается безусловное расширение (продление) гарантийного периода.
7. Продавец не несет ответственности за побочные потери (упущенные деловые возможности или понижение производительности), связанные или не связанные с дефектом или со временем его обнаружения.
8. Финансовая ответственность Продавца в соответствии с гарантийными обязательствами не должна превышать объем затрат, необходимых для устранения дефекта.

9. Приобретенные Вами аппараты фирмы HITACHI не принимаются в гарантийный ремонт в случаях, если:

- Изделие имеет внешние повреждения,
- Неисправность возникла в результате нарушения правил эксплуатации данного вида техники, указанных в прилагаемой к ней инструкции, либо в случае непрофессионального ввода техники в эксплуатацию или ремонта,
- Неисправность возникла по вине потребителя,
- Изделие эксплуатировалось с не устраненными недостатками,
- Неисправность возникла вследствие загрязнения: пыль, металлическая стружка, насекомые и т.п.,
- Неисправность возникла вследствие обстоятельств непреодолимой силы (стихия, пожар, и т.п.), несчастных случаев и т.д.,
- Неисправность возникла в результате внесения изменений покупателем в конструкцию изделия,
- Неисправность возникла в результате транспортировки,
- Неисправность была вызвана несоответствием Государственным техническим стандартам и нормам питающих сетей.

Гарантийный талон № _____

Наименование модели	Покупатель	Серийный номер	Дата продажи

Продавец

Покупатель

Подтверждает нормальную работу купленного им аппарата и ознакомлен с условиями гарантии.

Директор _____ Расшифровка _____

Подпись _____ Расшифровка _____

М.П.

М.П.

№ п/п	Дата поступления в ремонт / ТО	Дата окончания ремонта / ТО	Описание ремонтных / сервисных работ	ФИО Исполнителя

Приложение №1.

Город	Название организации	Телефон	Адрес фактический
Бийск (Алтайский край)	ИП Шестаков А.Ю.(маг. Мир Инструмента)	(3854)35-65-55	Алтайский край, г. Бийск, ул. Ленина 117. ИП Шестаков А.В.
Владивосток	ООО ДВ Профторг (Торговый СЦ)	(4232)24-21-50	г.Владивосток, ул. Громова, д. 12
Волгоград	ООО НПФ Славяне	(8442)94-52-49	г. Волгоград, ул. Козловская, д. 20
Волжский	ООО Инструмент Сервис	(8443)27-03-03	г. Волжский Волгоградской обл., ул. Мира д. 746
Екатеринбург	ООО ИТР	(343)379-44-91, 229-55-71,72,73	г. Екатеринбург, Сибирский тракт, 12, стр. 30
Ижевск	ТМ- СЕРВИС, Универсальная мастерская "Трезвый Мастер"	(3412)93-24-19	г. Ижевск, ул. Телегина, д. 30.
Иркутск	ООО ТД "БензоЭлектроМастер"	(3952)20-24-20	г. Иркутск, ул. Окт. Революции, 1 офис 8.
Красноярск	ООО Инструмент Сервис	(3912)61-98-99. 61-98-95	г. Красноярск, ул. Парашютная, д. 15
Москва	ООО «АСС2»	(495) 787-33-05, 787-33-04	г.Москва , 5-ый Донской проезд, д.23, стр.1
Н.Новгород	ЗАО Пигмент	(831)416-78-80	г. Н.Новгород, ул. Полтавская, д. 32
Набережные Челны	ООО Дафна (СЦ Планета Строй)	(8552)33-23-12, 46-56-76 доб. Сервис	г. Набережные Челны, пос. Зяб, д.17/11(Сармановский тракт, 60)
Нижневартовск	ООО «ТВЭЛ»	(3466)41-11-88	Тюменская обл., г. Нижневартовск, ул. Ленина, д. 16
Санкт - Петербург	ООО "Сервис"	(812) 337-26-47	г. Санкт - Петербург, ул. Киевская, д. 6
Самара	ООО «Специалист»	(846) 264-77-55, 260-40-74, 260- 81-21	г. Самара, ул.Победы, д.100
Саратов	ООО НПФ Славяне	(8452)45-20-60; 43-78-34	г. Саратов, ул. Рахова, д 15/31А
Смоленск	ООО ПП Глайс	(4812)59-92-12	г. Смоленск, ул. Н- Неман, д. 35

