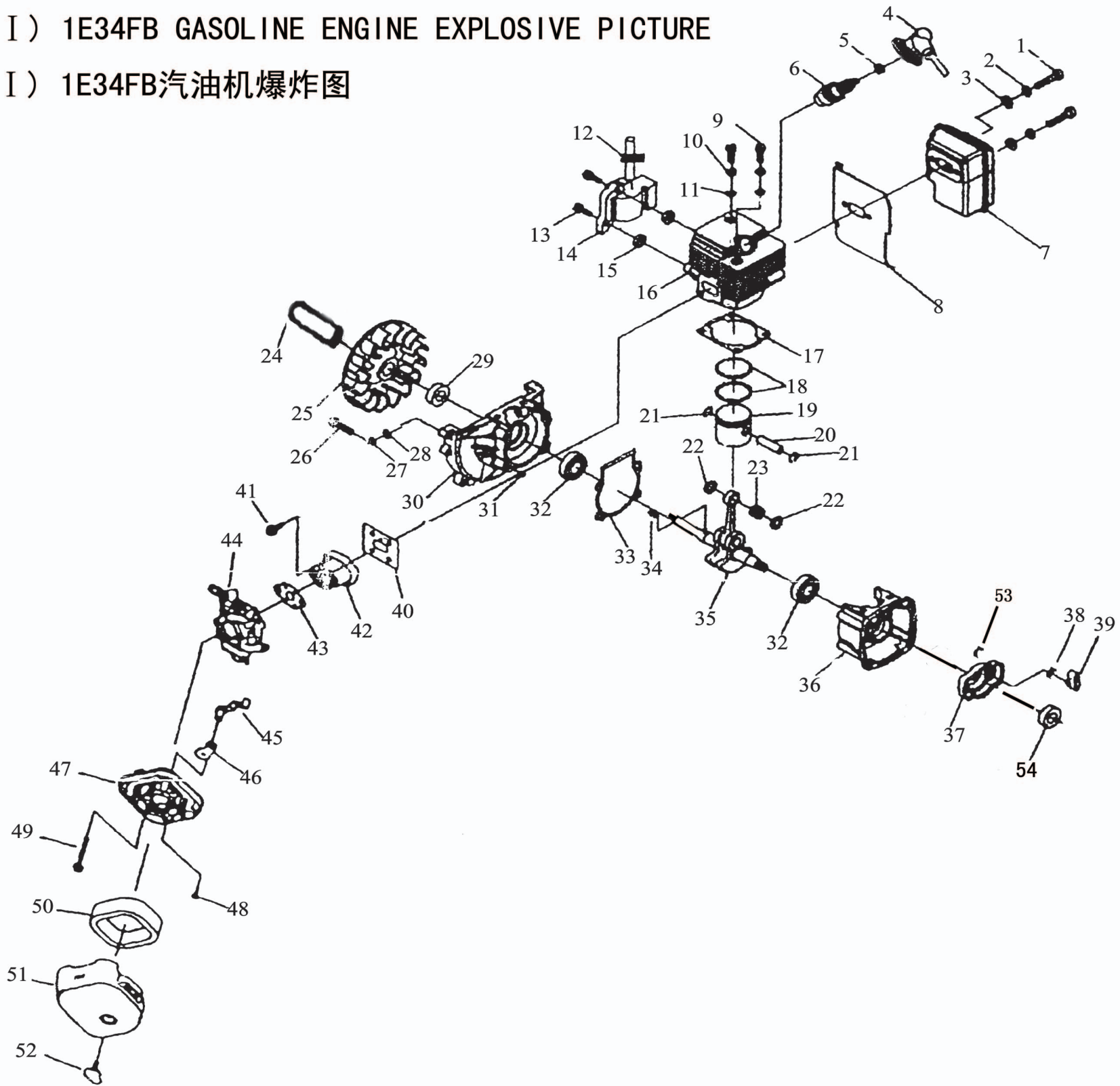


(I) 1E34FB GASOLINE ENGINE EXPLOSIVE PICTURE

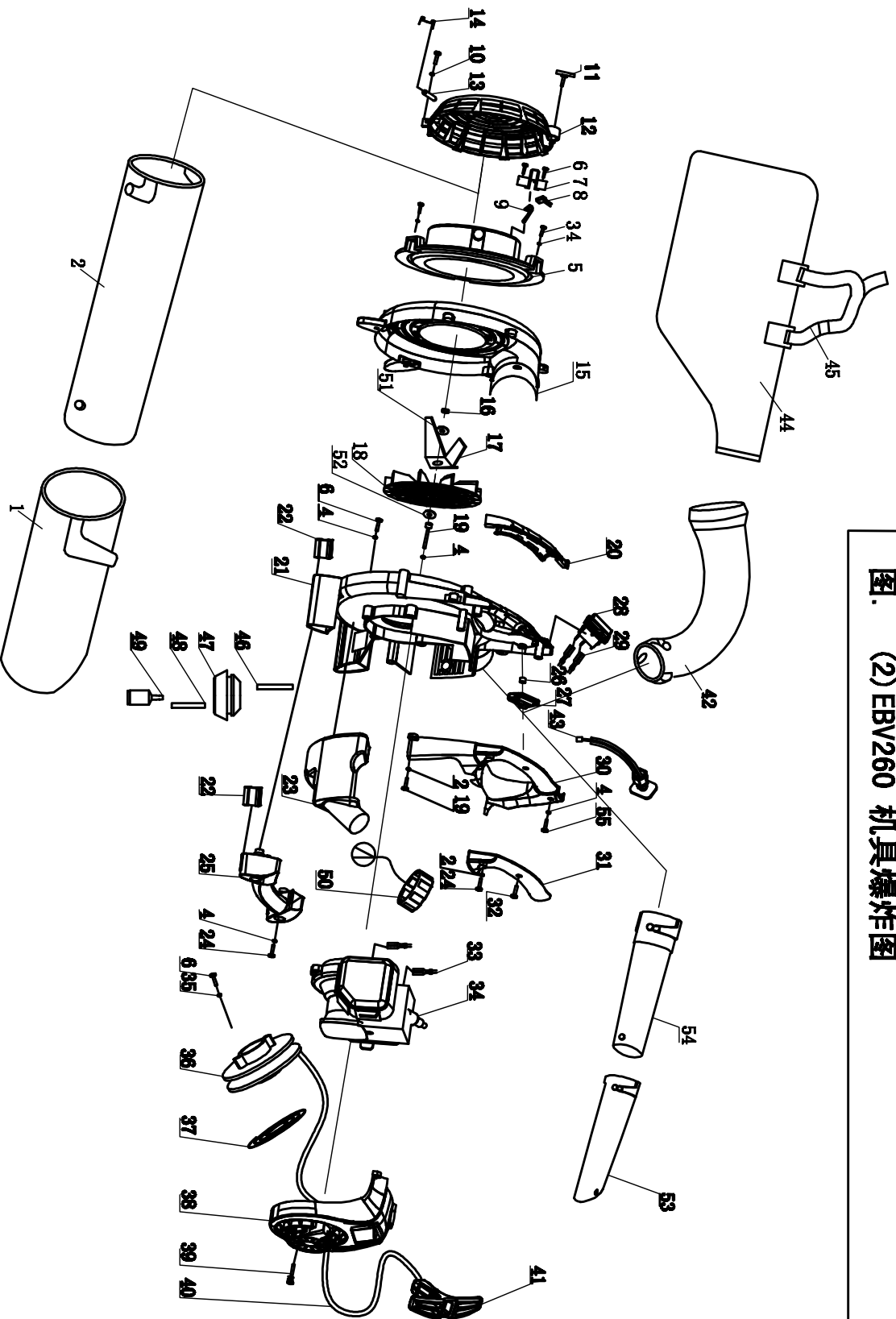
图.(I) 1E34FB汽油机爆炸图



1E34FB-ENGINE SPARE PARTS LIST

序号 Ser. NO.	ERP代码 Erp NO.	ERP编码	名称 Part Name		数量 Qty
1-1	4432	02020160533	螺钉M5X55	SCREW M5X55	2
1-2	7813	03050010015	弹垫5	WASHER5	2
1-3	6536	03040020020	平垫5	EVEN MAT5	2
1-4			高压帽	HIGH PRESSURE HAT	1
1-5			高压线圈	HIGH PRESSURE COIL	1
1-6	8638	03130010006	火花塞	THE SPARK FILLS	1
1-7	3603	02050010017	消音器	MUFFLER	1
1-8	3604	02020160064	挡风板	SLAD	1
1-9	1164	03010010011	螺钉M5X25	SCREW M5X25	2
1-10	7813	03050010015	弹垫	WASHER	2
1-11	6536	03040020020	平垫	EVEN MAT	2
1-12			高压胶塞	RUBBER PLUG	1
1-13	1848	03020020012	组合螺钉 M5X20	SCREW	2
1-14	8943	02050030023	磁电机定子	MAGNBTO STATOR	1
1-15	3477	02070010048	隔热垫	HEAT UNSULATION PAD	2
1-16	5334	70070130010	缸体	CYLINDER	1
1-17	0501	02070010032	缸体垫	CYLINDER WASHER	1
1-18	0508	02020020003	活塞环	PISTON RING	2
1-19	0500	02010020005	活塞	PISTON RING	1
1-20	0513	02020010004	活塞销	PISTON PIN	2
1-21	4552	02020030013	活塞销挡圈	PISTON PIN CIRCLET	2
1-22	0512	02020150002	止推垫圈	STOP RING	2
1-23	0498	03090020018	小头滚针轴承	NEEDLE BEARING	1
1-24	3785	02040030020	轴套	CONNECTING SHAFT	1
1-25	1957	02050030018	磁电机转子	MAGNBTO ROTOR	1
1-26	4373	03010010045	螺钉M5*30	SCREW	4
1-27	4251	02600010078	弹垫	WASHER	4
1-28	4260	02060010037	平垫	EVEN MAT	4
1-29	0047	03100010009	油封	OIL SEAL	2
1-30	0492	70070050039	前半曲轴箱	FRONT HALF CRANK CASS	1
1-31	4567	03060010002	定位销	ANNUL	1
1-32	0473	03090010028	轴承	BALL BEARING	1
1-33	0505	02070010119	曲轴箱垫	CRANK CASE CASKET	1
1-34	4562	03070010001	键	KEY	1
1-35	3784	02020120025	曲轴连杆	CRANK SHAFT COMP	1
1-36	0493	70070050038	后半曲轴箱	REAR HALF CEAND CASS	1
1-37	6468		启动拨盘	STARTER PULLEY	1
1-38	5774		启动扭簧	STARTER PAWL SPRING	2
1-39	8575		启动爪	STARTER PAWL	2
1-40	0503	02070010019	缸体侧密封垫	CYLINDER WASHER	1
1-41	1848	03020020012	组合螺钉M5X20	SCREW M5X20	2
1-42	0741	70030020016	进气管	INLET MANIFOLD	1
1-43	0518	02070010071	化油器垫	CARBURETOR	1
1-44	6357	02050020018	化油器	CARBURETOR	1
1-45	5294	02050060022	阻风门手柄	BREEZE A HAND HANDLE	1
1-46	1339	70030040028	阻风门	BREEZE DOOR	1
1-47	1355	70080120007	空滤器内罩	HE EMPTY COLANDER INSIDE COVER	1
1-48	0593	70050030028	自攻丝	SCREW	1
1-49	0323	02020040003	组合螺钉	SCREW	2
1-50	0745	02090010011	滤芯	ELEMENTO FILTRO	1
1-51	1337	02060010036	空滤器外罩	MPTY COVER OUTSIDE THE COLAND	1
1-52	1338	02060010055	大头螺钉	BIG A BOLT	1
1-53	6074	03120030003	挡圈	RETAINER RING	2
1-54	4287	02500060185	螺母M8		1

(2) EBV260 BRUSHEUTTER MACHINE EXPLOSIVE PICTURE
 图. (2) EBV260 机具爆炸图



EBV260 SPARE PARTS LIST

Ser.NO.	Erp NO.	NEW ERP	Part Name	PART NAME	Qty
2-1	5307	70050010068	吸尘管一	INHALE PIPE NO.1	1
2-2	5308	70050010069	吸尘管二	INHALE PIPE NO.2	1
2-3	4342	03010060055	螺钉 M5×16	SCREW M5×16	3
2-4	6536	03040020019	φ5平垫	WASHER 5	12
2-5	5318	70030030284	管接罩	CONNECT COVER	1
2-6	4388	03010060077	螺钉 M5×10	SCREW M5×10	5
2-7	5315	70030180100	连接块保护罩	CONNECTER SAFETY COVER	1
2-8	5299	02050050002	保险开关	SAFETY SWITCH	1
2-9	5310	70030070032	按钮连接块	BUTTON CONNECTER	1
2-10	4263	03040050017	φ6平垫 (加大)	WASHER 6	1
2-11	7297	70030180015	大头螺钉	SCREW	1
2-12	5313	70030030303	风机网罩	FAN NET COVER	1
2-13	5282	02020160312	扭簧轴	WREST SPRING SHAFT	1
2-14	5281	02020110048	扭簧	WREST SPRING	1
2-15	5312	70030010071	后蜗壳	REAR COCHLEA CASS	1
2-16	4243	03030020002	螺母 M8×1	NUT M8×1	1
2-17	4111	02020070042	粉碎齿	SHATTER TOOTH	1
2-18	5317	70030090006	叶轮	IMPELLER	1
2-19	7917	03010040047	自攻螺钉NST5*16黑色	SCREW M5×16	11
2-20	5285	02080020046	左手把胶套	LEFT HANDLE RUBBER COVER	2
2-21	5311	70030010055	前蜗壳	FRONT COCHLEA CASE	1
2-22	5283	02020160117	底座	PEDESTAL	4
2-23	5316	70050030063	油箱	FUEL TANK	1
2-24	3310	03010060075	螺钉 M5×30	SCREW M5×30	2
2-25	5304	70030160093	下手把	LOWER HANDLE	1
2-26	5280	02020160398	油操轴	THROTTLE LEVER SHAFT	1
2-27	5305	70030070109	油操手柄	THROTTLE LEVER HANDLE	1
2-28	5292	02050050111	停车开关组合	STOP SWITCH COMP	1
2-29	5297	02050050021	短停车线	SHORT STOP WIRE	2
2-30	5303	70030160048	上手把	UPPER HANGLE	1
2-31	5285	02080020046	右手把胶套	RIGHT HANGLE RUBBER COVER	2
2-32	6622	03010040016	自攻丝 4.2×10	ST4.2×10	1
2-33	5297	02050050021	停车线	STOP WIRE	1
2-34	5336	51010030004	汽油机	GASOLING ENGING	1
2-35	4259	70050030073	φ5平垫 (加大)	WASHER 5	1
2-36	5349	02060020003	启动绳轮	STARTER POPE REEL	1
2-37	8973	02060020009	卷簧	COLE SPRING	1
2-38	5314	70030030317	防护罩	volute case	1
2-39	4345	03020020015	螺钉 M4×30	SCREW M4×30	3
2-40	3517	01050010009	启动绳	STARTER POPE	1
2-41	1079	70030140012	起动手柄	STARTER HANDLE	1
2-42	5309	70050010070	出尘管	TAIL PIPE	1
2-43	5296	02050040087	油门绳	THROTTLE WRIE COMP	1
2-44	5293	02050060050	集叶袋	LEAVES ASSY	1
2-45	5294	02050060022	背带组合	HARNESS ASSY	1
2-46			回油管	RETURN FUEL PIPE	1
2-47	0709	02080030025	油管胶塞	FUEL PIPE RUBBER BUNG	1
2-48			进油管	INLET FUEL PIPE	1
2-49	0554	02050120002	燃油滤清器	FILTER CLEANER	1
2-50	7560	02110020026	油箱盖组合	LID ASSY	1
2-51	4281	03050010007	弹垫8	WASHER 8	1
2-52	7493	03040050005	垫片23*8*1	WASHER 23*8*1	1
2-53	5302	70050010066	吹风管A	PIPE A	1
2-54	5306	70050010067	吹风管B	PIPE B	1
2-55	7048	03010040056	自攻丝 QC/T713-2004黑色	SCREW M5×20	4