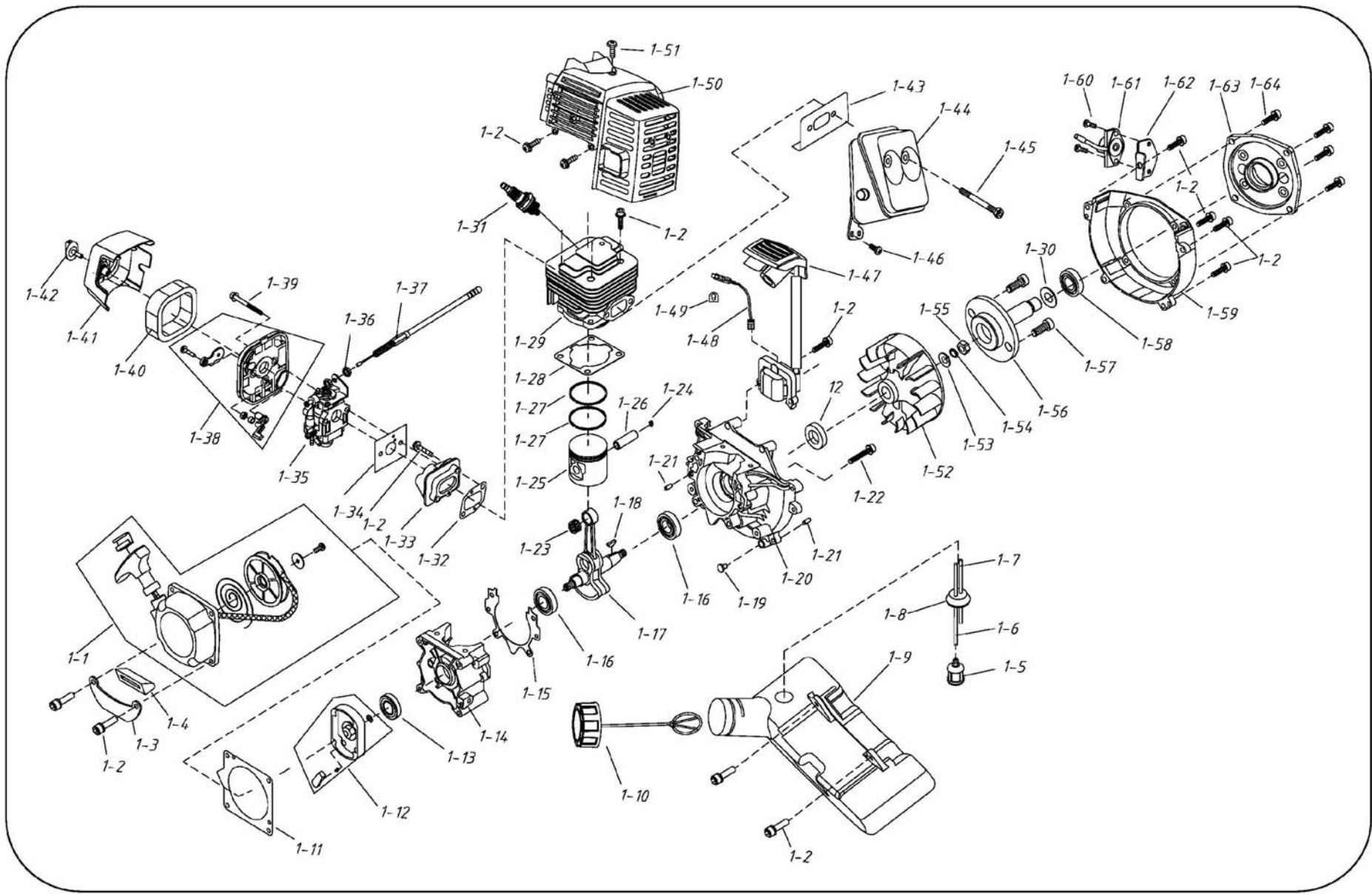


1E36F-2GA汽油机（配水泵TQG25-30G）明细表

1E36F-2GA ENGINE PARTS LIST

序号	ERP编码	零部件名称	规格型号	零部件名称	数量
Item	Part No.	Part Name	Specifications	Part Name	Qty
1-1	02050070030	起动机组合	1E40F-5.10	Starter	1
1-2	03010010062	内六角组合	M5×20	Screw 5×20	18
1-3	02020160439	油箱挂架	1E40F-5A-4	Bracket, fuel tank	1
1-4	02080020087	油箱挂架胶套	1E36F-2A	Rubber Cover	1
1-5	02050120002	燃油过滤器	1E34F.9-4	Cleaner Cover	1
1-6	61330010013	进油管	1E34FT-10	INLET FUEL PIPE	1
1-7	61330010018	回油管	1E34FGA-6	OUTLET FUEL PIPE	1
1-8	02080030025	油管胶塞	1E34F	Fuel pipe plug	1
1-9	70050030074	油箱	1E36F-2GA.2	Fuel Tank	1
1-10	02110020026	油箱盖组合	37F	Fuel Tank cap assembly	1
1-11	02010030018	起动机衬垫	1E40F-5-10	Starter gasket	1
1-12	02050100006	启动拨盘组合	1E40F-5A	Start Reel Ass'y	1
1-13	03100010009	油封	1E36F 12×22×7	Oil seal 12×22×7	2
1-14	70070050042	后半曲轴箱	36F-2A	Rear half crank Case	1
1-15	02070010121	曲轴箱密封垫	1E36F-2A	Crank case gasket	1
1-16	03090010034	滚动轴承	GB/T276 6201/P5	Bearing 6201/P5	2
1-17	02020120075	曲轴连杆组合	1E36F-2	Crank Shaft assembly	1
1-18	03070010002	键	GB/T1099.1 3×5×13	Half round key 3×5×13	1
1-19	02070020046	油箱垫	1E36-2A	Gasket Fuel Tank	2
1-20	70070050078	前半曲轴箱	1E36F-2	Front half crank case	1
1-21	03060010004	圆柱销	GB119 4×10	Position Pin 4×10	4
1-22	03010010069	内六角螺钉组合	M5×30 (8.8级)	Hexagon socket cap screws M5×30	4
1-23	03090020020	小头滚针轴承	1E36F-2.4-4	Needle Bearing	1
1-24	02020030016	活塞销挡圈	1E36F.10-2	Piston pin circlip	2
1-25	02010020009	活塞	1E36F-2.4-1	piston	1
1-26	02020010006	活塞销	1E36F-2.4-3	Piston Pin	1
1-27	02020020006	活塞环	1E36F-2.4-2	Piston Ring	2
1-28	02070010034	缸体密封垫	1E36F-2A	Cylinder Gasket	1
1-29	70070130017	缸体	1E36F-2	Cylinder	1
1-30	03040050043	波形垫圈	1E40F-5-11 φ10*14	Washer φ10	10
1-31	03130010013	火花塞	GB/T7825 RCJ6Y	Spark Plug RCJ6Y	1
1-32	02070010092	进气管密封垫	1E36F-2A	Insulator Gasket	1
1-33	70030020011	进气管	BG330A (YJ33)	Insulator tube	1
1-34	02070010072	化油器密封垫	1E36F-2A H119-00-189	Carburetor Gasket	1
1-35	02050020148	化油器	1E36F-2A H119-00-189	Carburetor	1
1-36	03030010004	螺母	GB6170 M6	Nut M6	2
1-37	02050040164	油门绳	QGZ25-30C.2	Cable comp	1
1-38	70080120007	空滤器内罩组合	34F	Cleaner Inside Cover	1
1-39	03020020047	螺钉组合	GB/T9074.4 M5×50	SCREW M5×50	2
1-40	02090010052	海绵滤芯	1E40F-5GA-06	Cleaner Outside Cover	1
1-41	70030040108	空滤器外罩	1E36F-2GA-1	Air filter cover	1

1-42	02110030079	旋钮	1E40F-5GA-05	Knob	1
1-43	02070010146	消音器垫	1E36F-2A	Muffler Gasket	1
1-44	02050010086	消音器组合	1E36F-2.2	Muffler assembly	1
1-45	03010010077	内六角螺钉组合	M5×55(12.9级)	Hexagon socket cap screws M5×55	2
1-46	03010080004	内六角组合	M5×12	Screw M5×12	1
1-47	02050030133	磁电机定子	1E36F-2GA	Ignition Coil Comp.	1
1-48	02050050252	停车线	YJ1E34FNQ.2	Cut-off wire set	1
1-49	02080020012	点火线固定套	40F-3B	Retaining Sleeve	1
1-50	70030030689	缸体护罩	1E36F-2GA.1	Guide Cover Ass'y	1
1-51	03010110120	螺钉(大扁头)	M5×12	Screw M5×12	1
1-52	02050030151	磁电机转子	QGZ25-30C.1-1	Magneto Rotor Comp.	1
1-53	03040020018	垫圈	GB/T97.1 8	Flat washer φ8	1
1-54	03050010008	垫圈	GB/T93 8	Spring washer φ8	1
1-55	03030010017	螺母	GB6170 8×1.25	Nut M8×1.25	1
1-56	02050150059	水泵连接轴	QGZ25-30C-1	Connect shaft	1
1-57	03010010084	螺钉	GB/T70.1 M8×20	Hexagon socket cap screws M8×20	2
1-58	03090010014	滚动轴承	GB/T276 6002-2RS/P5	Bearing 6002-2RS/P5	1
1-59	70070030032	风扇罩	QGZ25-30C-2	Flywheel cover	1
1-60	03020020009	螺钉组合	GB/T9074.4 M4×10	Screw M4×10	2
1-61	02050050251	停车开关组合	YJ1E34FNQ.1	Stop Button Comp.	1
1-62	02020160663	开关固定板	QGZ25-30C-3	Bracket	1
1-63	02050150060	连接块	QGZ25-30C-4	Transition flange	1
1-64	03020030008	螺栓组合	GB/T9074.13 M6×16	Screw M6×16	4



TQG25-30G 水泵明细表

TQG25-30G MODEL WATER PUMP PARTS LIST

序号	ERP编码	零部件名称	规格型号	零部件名称	数量
Item	Part No.	Part Name	Specifications	Part Name	Qty
1	51010230031	汽油机	1E36F-2GA	Engine assembly	1
2	02050150047	泵体组合	WP10	Pump assembly	1
2-1		螺栓	GB/T5789 M5×45	Hexagon socket cap screws M5×45	4
2-2		1"尼龙垫片	TT/01-10LSB-1200	Nylon Washer	4
2-3	02050150061	1"泵盖	TT/01-10LSB-0200	Pump Cover	1
2-4	02050150062	1"泵盖O型圈	Φ160×4	Pump Cover O-ring Φ160×4	1
2-5	02050150063	1"泵机械密封	SB-17	Machanical seal	1
2-6	02050150064	1"泵二冲叶轮	TT/01-10LSB1-0300	Impeller	1
2-7	02050150065	1"泵二冲导叶	TT/01-10LSB-0400	Volute Casting	1
2-8	02050150066	1"泵导叶O型圈	Φ41×3.55	Volute Casting O-ring Φ41×3.55	1
2-9	02050150067	1"泵体	TT/01-10LSB-0100	Pump Housing	1
2-10	02050150068	1"泵出水密封垫	TT/01-10LSB-0601	Dischance Flange Gasket	1
2-11	02050150069	1"泵出水弯头	TT/01-10LSB-0600	Dischance Flange	1
2-12		螺栓	GB/T5789 M6×18	hexagon head screws M6×20	7
2-13	02050150070	1"泵螺塞O型圈	Φ18×3.1	Priming Cap O-ring Φ18×3.1	2
2-14	02050150071	1"泵螺塞	TT/01-10LSB-1000	Priming Cap	2
2-15	02050150072	1"泵拍门	TT/01-10LSB-0700	Return Valve Gasket	1
2-16	02050150073	1"泵进水法兰	TT/01-10LSB-0500	Inlet Valve	1
2-17	02050150074	1"泵管接密封垫	TT/01-10LSB-0901	Pipe Connector Gasket	2
2-18	02050150075	1"泵管接	TT/01-10LSB-0900	Pipe Connector	2
2-19	02050150076	1"泵铝管接螺母	TT/01-10LSB-0800	Connector Nut	2
2-20	03010070019	螺栓	GB/T5789 M8×25	Hexagon head screws M8×25	2
3	02050150046	底座组合	QGZ25-30B.WB	Base assembly	1
3-1	02080030010	减震胶塞	QGZ40-35-10	Shock absorbing rubber plug	4
3-2	02020160559	底座	QGZ25-30B.1	Water pump base	1
3-3	02080050043	橡胶减震座	QGZ25-30B-1	Shock absorbing rubber plug	2
3-4	03020020032	螺钉组合	GB/T9074.4 M4×12	Screw M4×12	2
3-5	03040020019	垫圈	GB/T97.1 5	Washer Φ5	2
3-6	03040010009	垫圈	GB/T96.1 5	Washer Φ5	4
3-7	03010060087	螺钉	GB/T818 M5×12	Screw M5×12	4
4	03010070007	螺栓	GB/T5789 M8×30	Hexagon head screws M8×30	2
5	03040020018	垫圈	GB/T97 8	Washer Φ8	2
6	03050010008	垫圈	GB/T93 8	Washer Φ8	2
7	03030010017	螺母	GB6170 M8	Hexagon full nuts M8	2
8	02050150032	油门开关	QGZ40-35.5	Throttle Lever	1
9	03040020020	垫圈	GB/T97 5	Washer Φ5	1
10	03050010015	垫圈	GB/T93 5	Washer Φ5	1

11	03030010013	螺母	GB6170 M5	Hexagon full nuts M5	1
12	02050150048	提把	QGZ25-30. T-1	Handle	1
13	70080010003	油瓶组合	1E36FN-YP	Fuel mixture bottle (0.6L)	1
14	03080030004	十字双头套筒	3F-30 17×19	Box spanner 17×19	1
15	03080020007	呆扳手	8×10	Open spanner 8×10	1
16	03080010006	内六角扳手	GJ-YJ-1 (S=4/S=5)	Alley key (S=4/S=5)	1
17	02110030194	PVC螺旋管	1"×3m	Suction pipe (1"×3m)	1
18	02020040011	φ32卡箍	HL-25ZB-H.4 φ32	Clamp φ32	3
19	02060030076	1寸水泵滤网组合	HL-25ZB-H.3	Screen assembly	1
20	04090010030	手套		Safety gloves	1
21	02110030009	防护眼镜		Safety goggles	1

