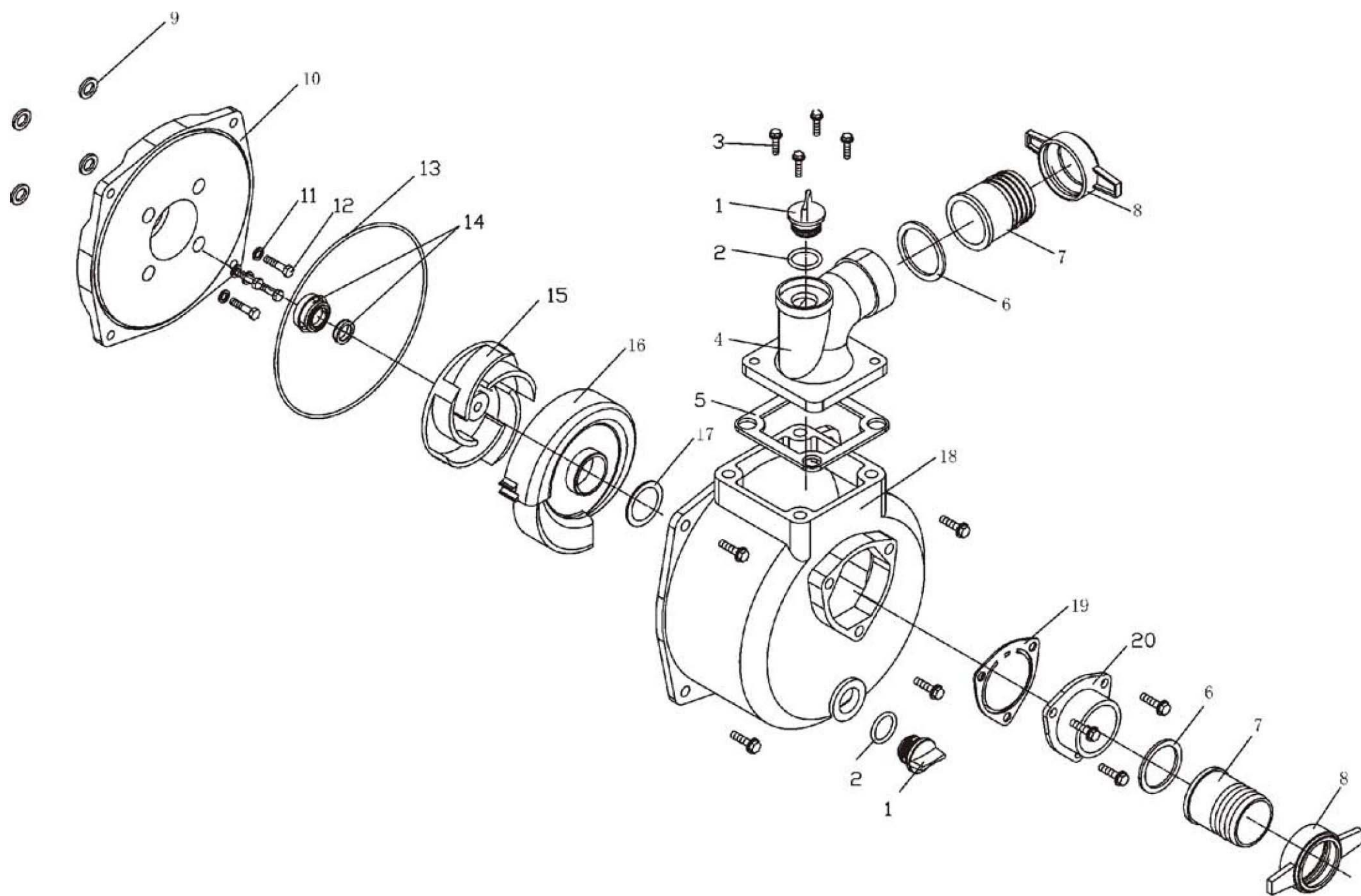
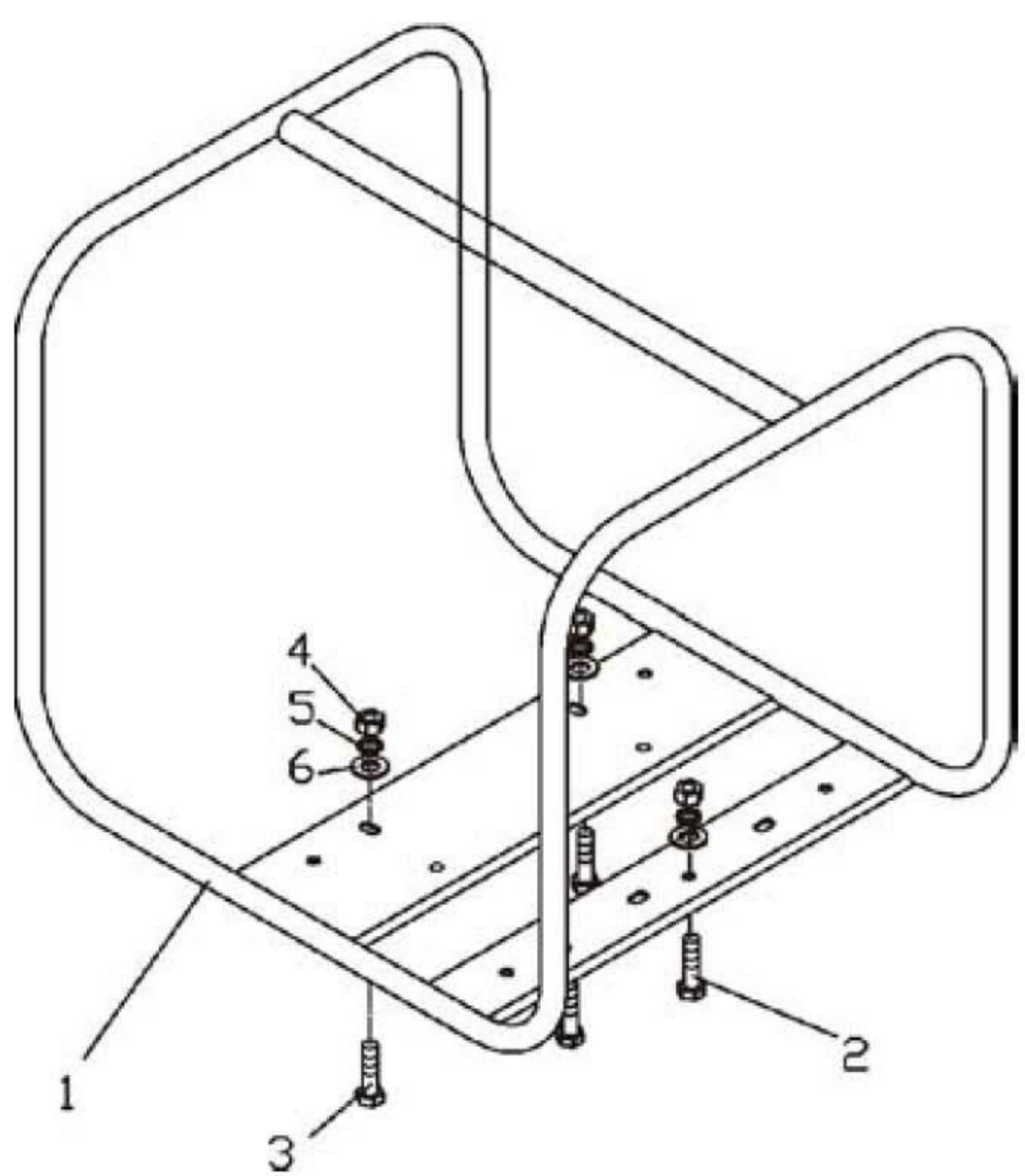


ASSEMBLY AND PARTS ALBUM



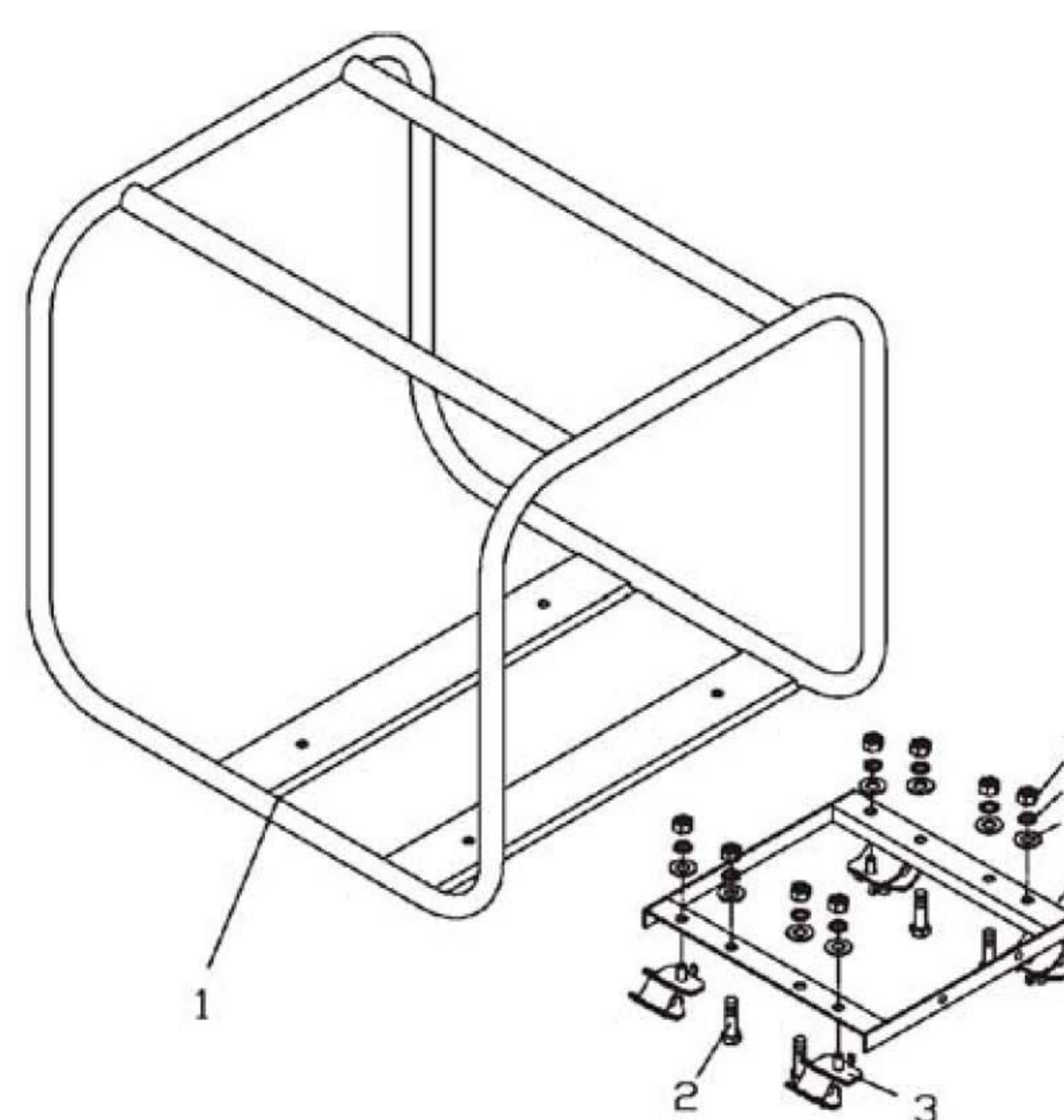
(2) 2" Pump Assembly (50SBZ-01000C)

No.	Code.	Description	Qty.
1	50SBZ-01012C	Screw Plug	2
2	GB/T3452.1-1992	O-Ring 25.8×3.55	2
3	GB/T5789-1986	Bolt M10×30	12
4	50SBZ-01005C	Drained Water Outlet Seat	1
5	50SBZ-01006C	Washer of Drained Water Outlet Seat	1
6	50SBZ-01008C	Rubber Seal Washer	2
7	50SBZ-01009C	Intake (Outlet) Pipe Joint	2
8	50SBZ-01007C	Locking Nut	2
9	50SBZ-01015	Adjusting Washer of Pump Cover	4
10	50SBZ-01001C	Pump Cover	1
11	50SBZ-01013C	Seal Washer	4
12	GB/T5789-1986	Bolt M8×35	4
13	GB/T3452.1-1992	O-Ring 218×3.55	1
14	50SBZ-01100C	Machine Seal Unit	1
15	50SBZ-01004C	Impeller	1
16	50SBZ-01003C	Diffuser	1
17	GB/T3452.1-1992	O-Ring 71×5.3	1
18	50SBZ-01002C	Pump Body	1
19	50SBZ-01200C	Flap Valve Assembly	1
20	50SBZ-01011C	Water Intake Seat	1



(3) Housing Assembly (SDP20-03000)

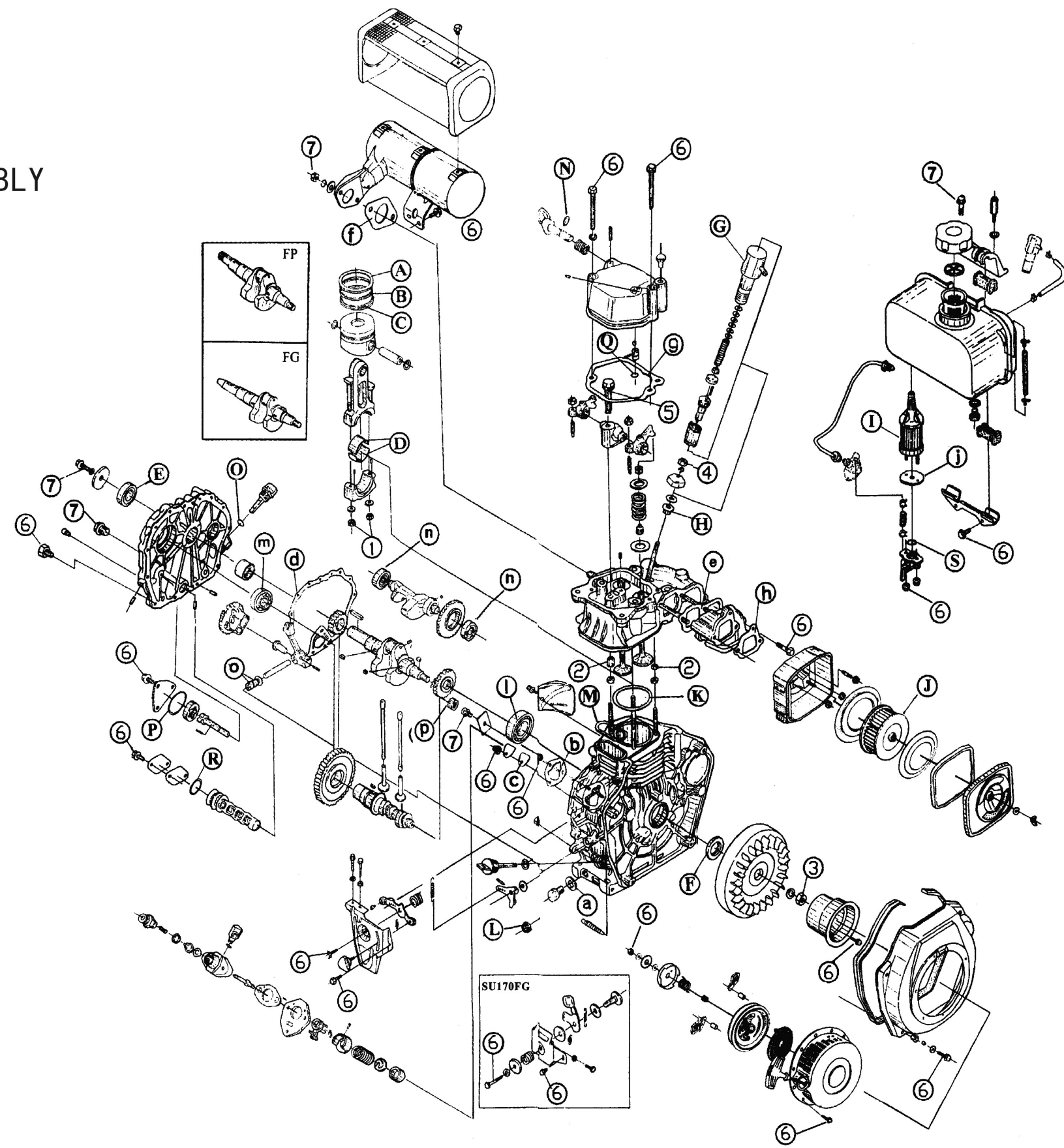
No.	Code.	Description	Qty.
1	50QBZ-01000	Housing	1
2	GB/T5781-1986	Bolt M8×35	2
3	GB/T5781-1986	Bolt M8×30	2
4	GB/T97.1-1985	Gasket 8	4
5	GB/T93-1987	Gasket 8	4
6	GB/T6170-1986	Nut M8	4



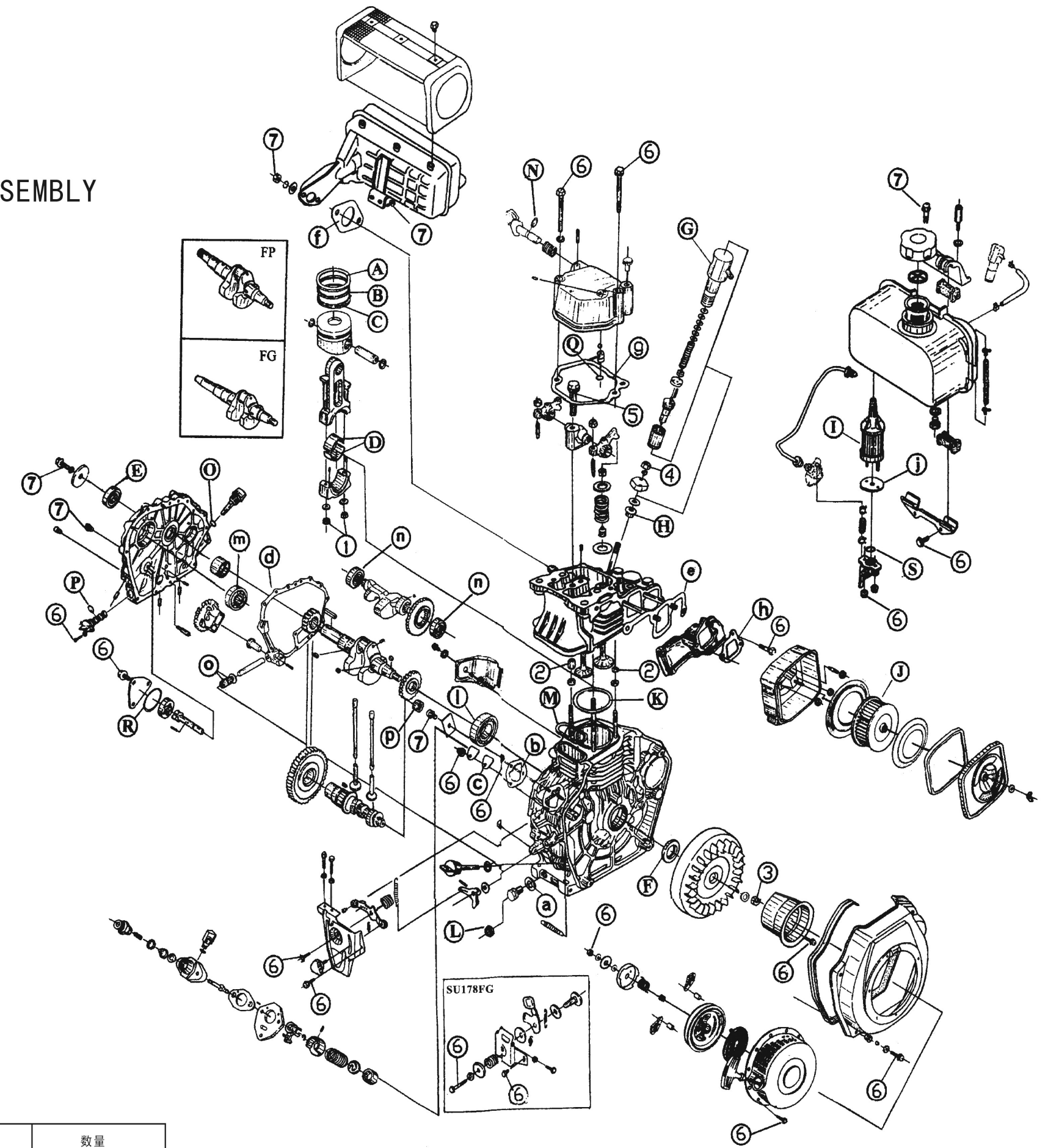
(4) Housing Assembly (SDP20-03000)

No.	Code.	Description	Qty.
1	50SBZ-03000	Housing	1
2	GB/T-5781-1986	Bolt M10×40	4
3	50SBZ-02001	Cushion	4
4	50SBZ-04000	Bracket	1
5	GB/T97.1-1985	Gasket 10	8
6	GB/T93-1987	Gasket 10	8
7	GB/T6170-1986	Nut M10	8

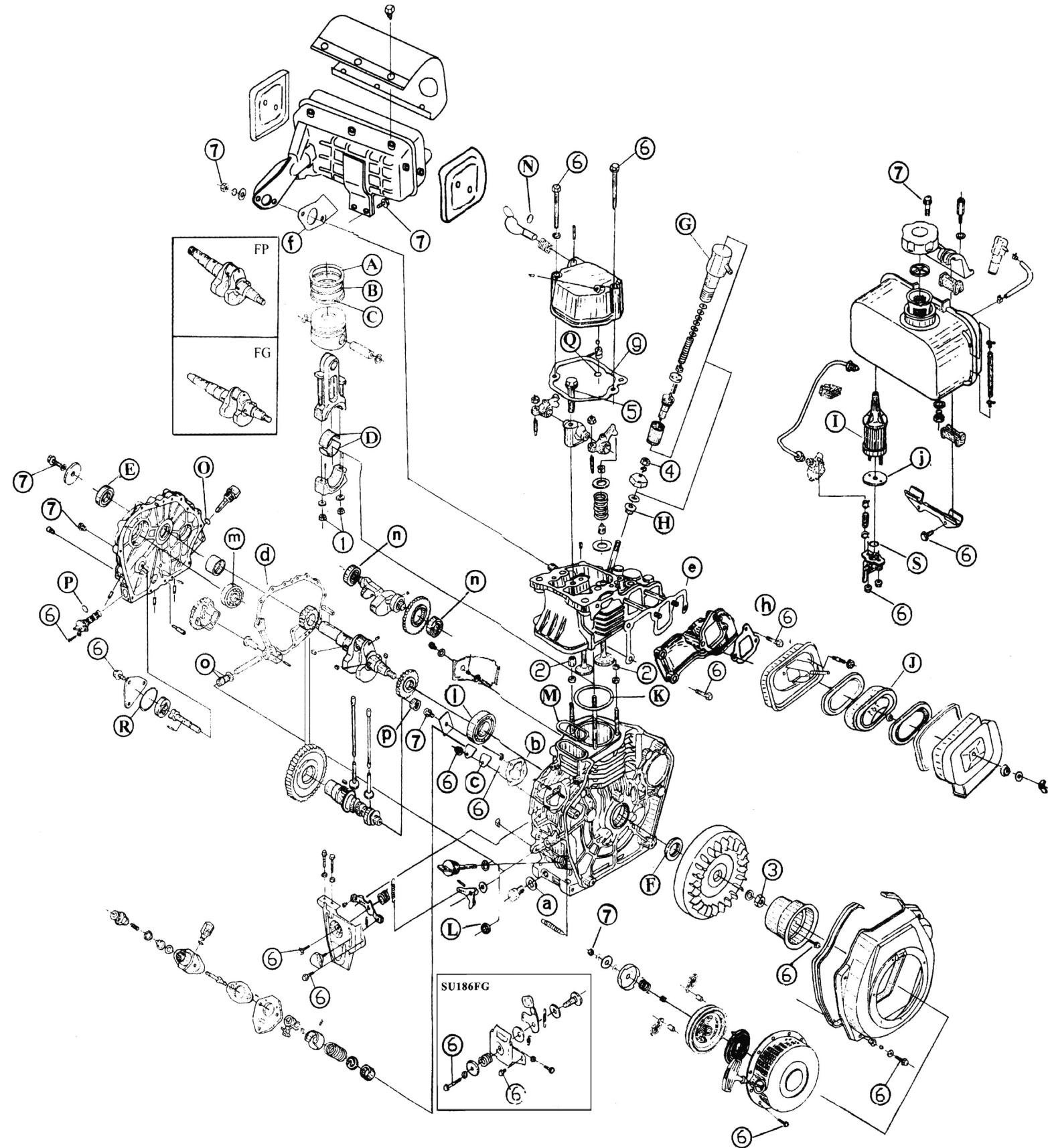
SU170 柴油机装配总成
SU170 DIESEL ENGINE ASSEMBLY



SU178 柴油机装配总成
SU178 DIESEL ENGINE ASSEMBLY



SU186 柴油机装配总成
SU186 DIESEL ENGINE ASSEMBLY



垫圈组 FULL GASKET SETS

序号 NO.	编号 CODE	名称 DESCRIPTION	英文名称 DESCRIPTION	数量 QUANTITIES
	SU170 SU178 SU186	SU170 SU178 SU186	SU170 SU178 SU186	SU170 SU178 SU186
a	7001100	放油螺塞垫片	O il Plug Seal Assem	1
b	7012001	喷油泵垫片	Fuel Injection Pump Gasket	1
c	7012002	密封板垫片	Seal Gasket	1
d	7001015 7801015 8601015	曲轴箱盖垫片	Crank Case Gasket	1
e	7002014 7802014 8602014	进气管垫片	Air Intake Gasket	1
f	7002015 7802015 8602015	消声器垫片	Silencer Gasket	1
g	7003003 8603003	气缸盖罩垫片	Bonnet Gasket	1
h	7007001 8607001	空气滤清器垫片	Air Cleaner Gasket	1
i	7009002	机油滤盖垫片	Oil Filter Gasket	1
j	7010007	柴油滤垫片	Fuel Oil Filter Gasket	1

轴承 BEARINGS

序号 NO.	编号 CODE	名称 DESCRIPTION	英文名称 DESCRIPTION	数量 QUANTITIES
	SU170 SU178 SU186	SU170 SU178 SU186	SU170 SU178 SU186	SU170 SU178 SU186
l	9801306 9801307 9801308	6306 6307 6308	6306 6307 6308	1
m	9801205 9801206 9801208	6205 6206 6207	6205 6206 6207	2
n	9801202 9801203	6202 6203	6202 6203	2
o	9802008	滚针轴承7941/8	Needle Bearing 7941/8	1
p	9802015	滚针轴承37941/15	Needle Bearing 37941/15	1

易损件 EASY DESTROYED PARTS

序号 NO.	编号 CODE	名称 DESCRIPTION	英文名称 DESCRIPTION	数量 QUANTITIES
	SU170 SU178 SU186	SU170 SU178 SU186	SU170 SU178 SU186	SU170 SU178 SU186
A	7004100 7804100 8604100	油环部件	Oil Ring Set	1
B	7004001 7004001 8604001	第一道气环	First Gas Ring	1
C	7004002 7004002 8604002	第二道气环	Second Gas Ring	1
D	7004005 7804005 8604005	连杆轴瓦	Crank Pin Bearing	2
E	9701025 9701302 9701351	油封	Oil Seal	1
F	9701301 9701351	油封	Oil Seal	1
G	7013000 7813000 8613000	喷油咀	Nozzle Valve	1
H	7002011	隔热套	Spacer	1
I	7010300 7810300 8610300	柴油滤芯部件	Filter Element Assem	1
J	7007100 8607100	空气滤芯部件	Air Cleaner Element Assem	1
K	7001013 7801013 8601013	气缸盖垫片	Cylinder Head Gasket	1
L	7011008	油封SG8×14×2.5	Oil Seal SG8×14×2.5	1
M	7001008 7801008 8601008	密封圈	Ring	1
N	9702010	O形密封圈10×1.9	O-Ring10×1.9	1
O	9702024	O形密封圈24×2.4	O-Ring24×2.4	2
P	9702025	O形密封圈25×2.4	O-Ring25×2.4	1
Q	9702012	O形密封圈12×1.9	O-Ring12×1.9	1
R	9702345	O形密封圈34.5×1.8	O-Ring34.5×1.8	1
S	9702132	O形密封圈13.2×1.9	O-Ring13.2×1.9	1

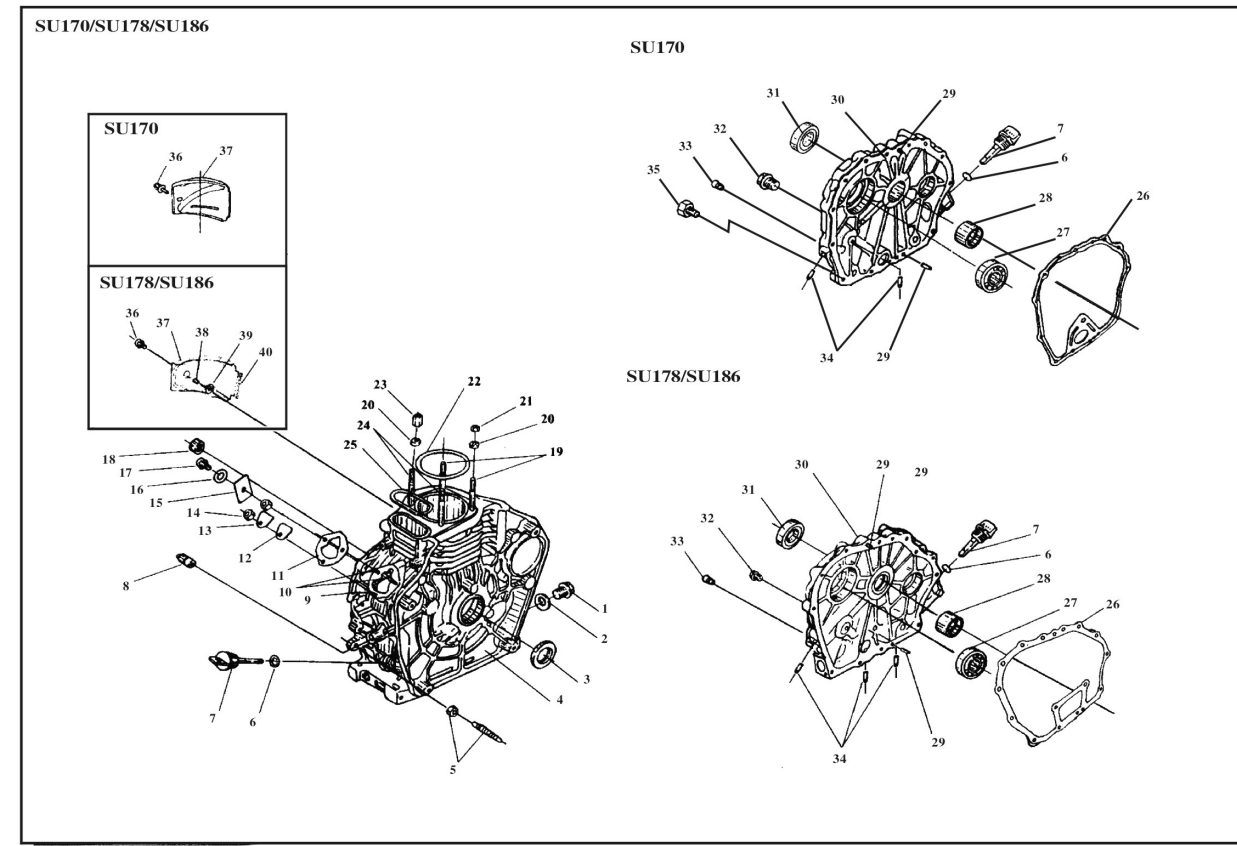
油封 SEALS

序号 NO.	编号 CODE	名称 DESCRIPTION	英文名称 DESCRIPTION	数量 QUANTITIES
	SU170 SU178 SU186	SU170 SU178 SU186	SU170 SU178 SU186	SU170 SU178 SU186
E	9701025 9701302 9701351	油封 SG25*42*1.0 SG30*45*1.0 SG35*50*1.0	Oil Seal SG25*42*1.0 SG30*45*1.0 SG35*50*1.0	1
F	9701301 9701351	油封 SG30*45*8 SG35*50*10	Oil Seal SG30*45*8 SG35*50*10	1
L	7011008	油封SG8*14*2.5	Oil Seal SG8*14*2.5	1

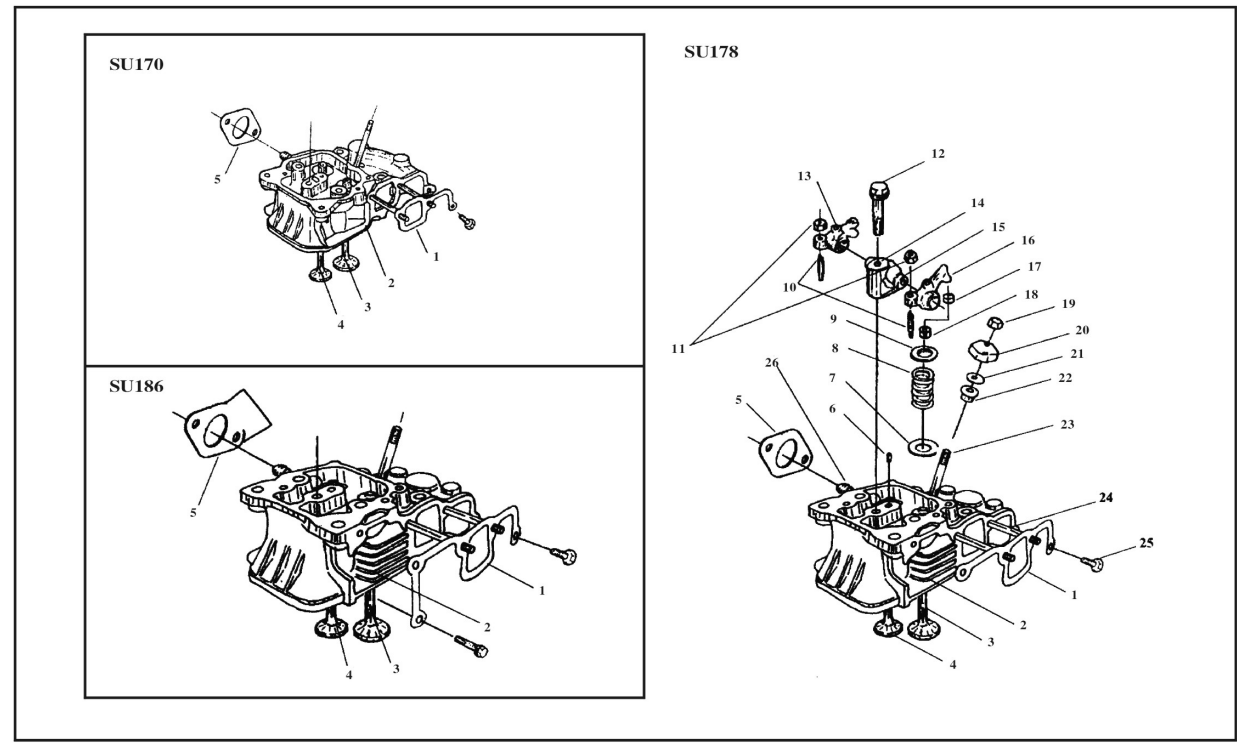
主要螺栓、螺母拧紧力矩一览表TORQUE FOR TIGHTEN UP MAIN SCREW BOLT AND NUT
单位：牛顿·米unit: N·m

序号 NO.	名称 Description	型号 Model	SU170	SU178	SU186
1	连杆螺母 Connecting rod nut		25~30		40~45
2	气缸盖螺母 Cylinder head nut		28~32	42~46	54~58
3	飞轮螺母 Fly wheel nut		120~130		130~150
4	喷油器压板螺母 Nozzle retainer			10~12	
5	摇臂座紧固螺栓 Tight screw bolt of Rockert support		20~22		43~47
6	标准M6螺栓 Standard M6 bolt			10~12	
7	标准M8螺栓 Standard M8 bolt			18~22	

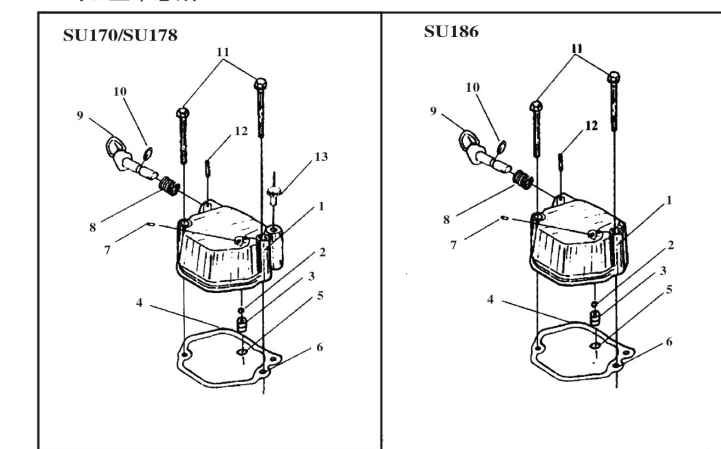
1 机体总成 CYLINDER BLOCK ASSEMBLY



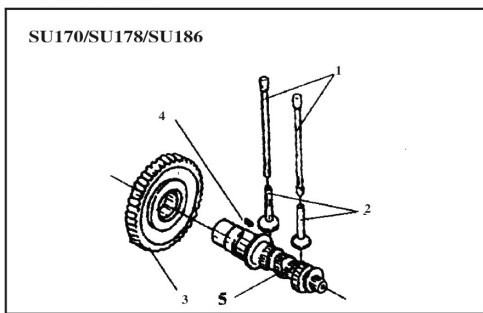
2 气缸盖总成 CYLINDER HEAD ASSEMBLY



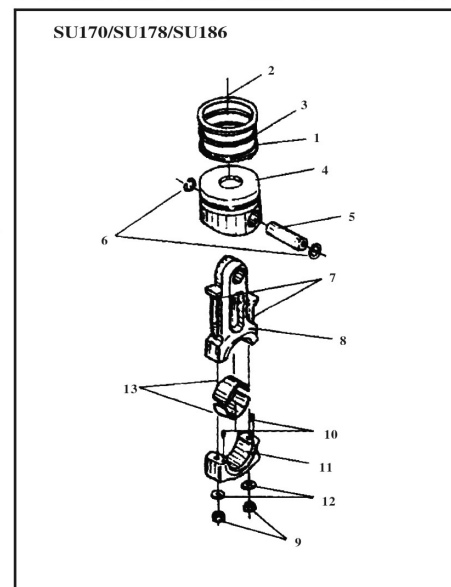
3 气缸盖罩总成 CYLINDER HEAD BONNET ASSEMBLY



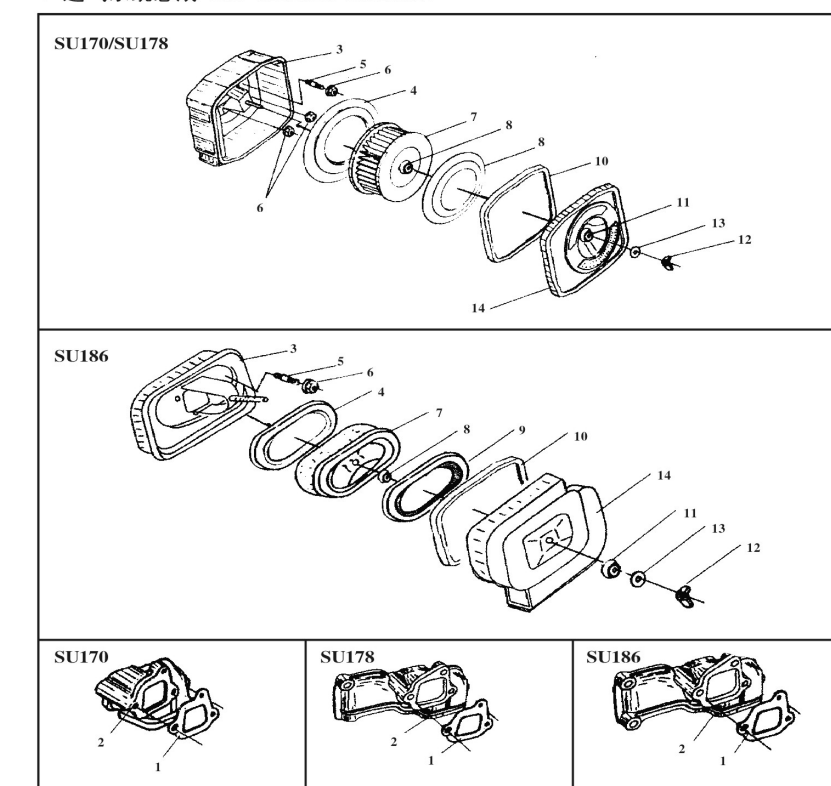
6 凸轮轴总成 CAMSHAFT ASSEMBLY



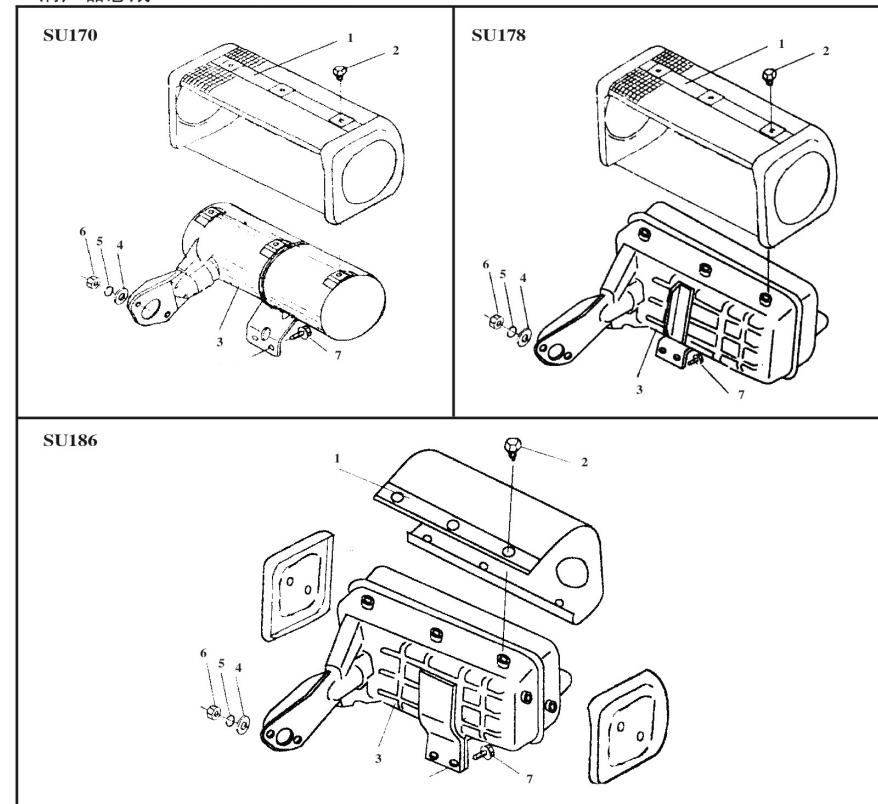
4 活塞连杆总成 PISTON & CONNECTING ROD ASSEMBLY



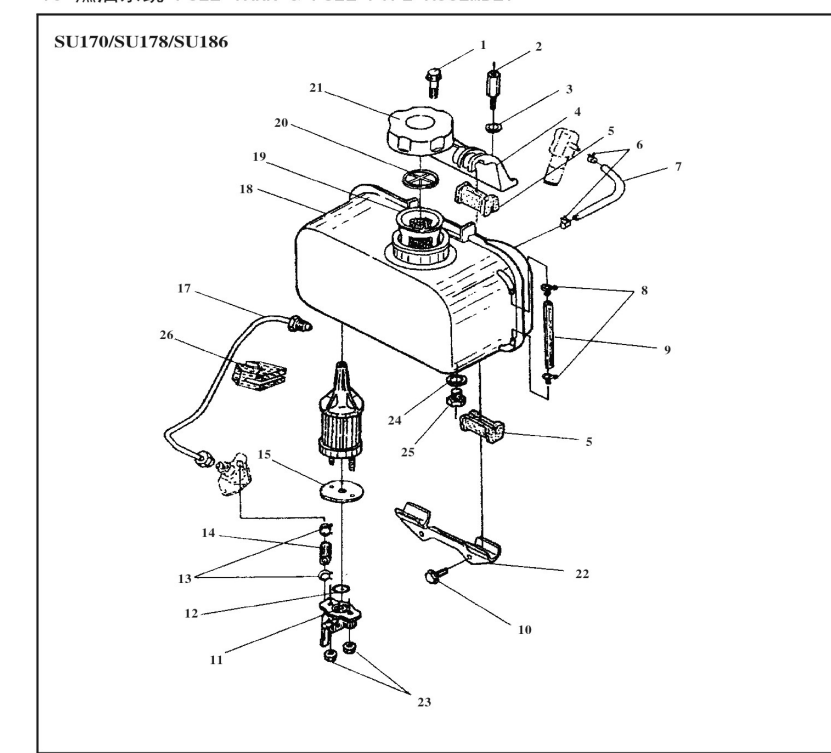
7 进气系统总成 AIR CLEANER ASSEMBLY



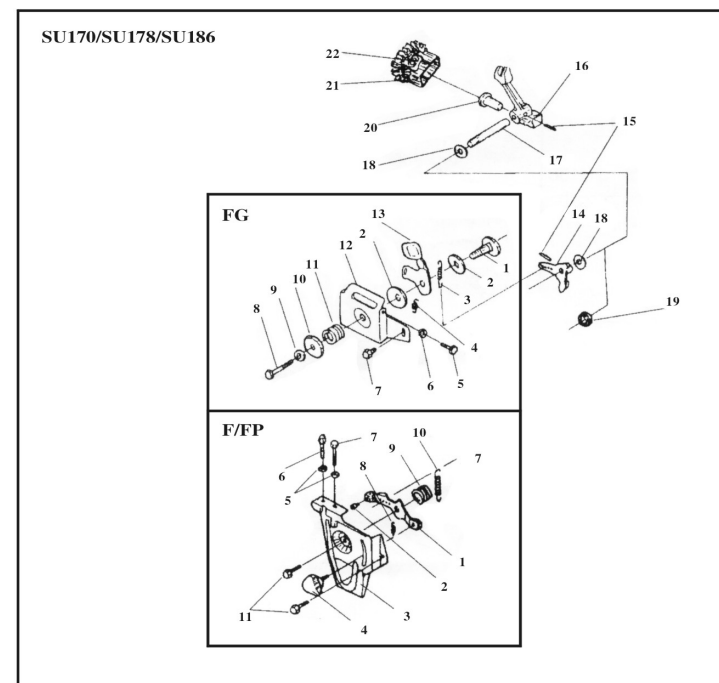
8 消声器总成 SILENCER ASSEMBLY



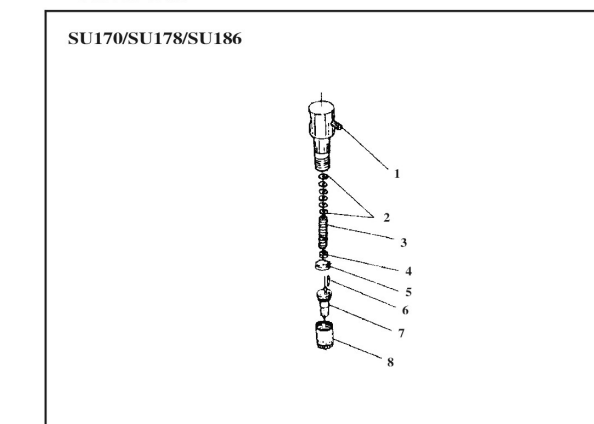
10 燃油系统 FUEL TANK & FUEL PIPE ASSEMBLY



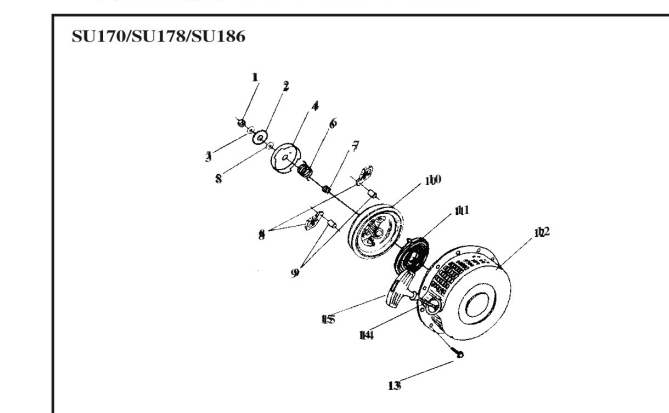
11 调速及操纵系统 GOVERNOR & CONTROL SYSTEM



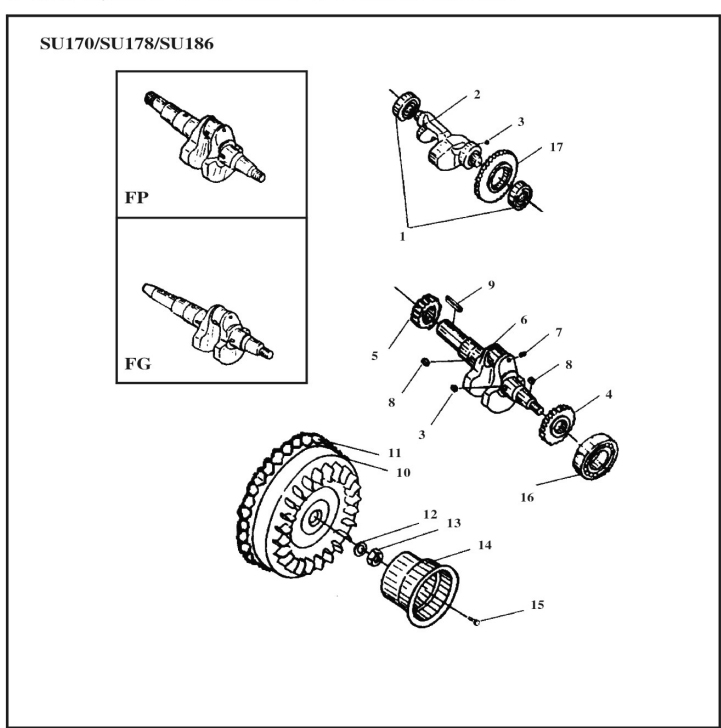
13 喷嘴器总成 FUEL NOZZLE ASSEMBLY



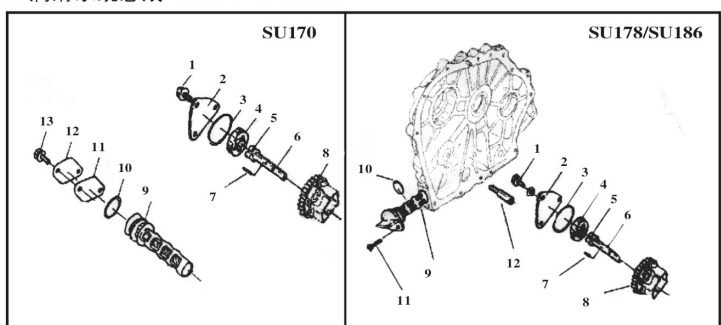
14 手拉启动总成 RECOIL STARTER ASSEMBLY



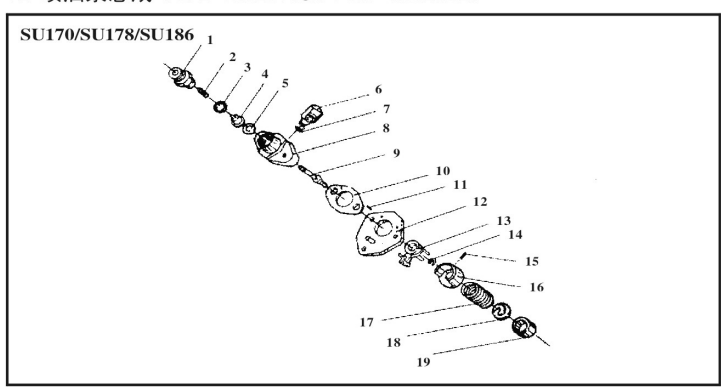
5 曲轴飞轮总成 CRANK SHAFT & FLYWHEEL ASSEMBLY



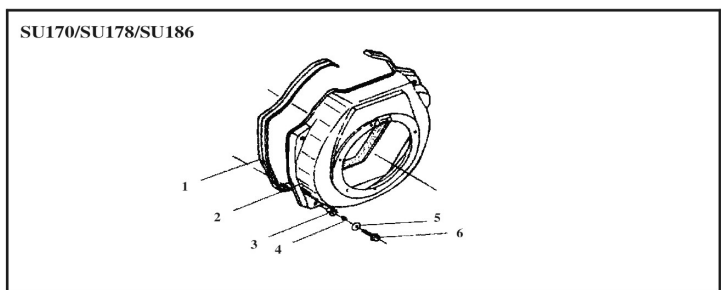
9 润滑系统总成 LUBE OIL SYSTEM



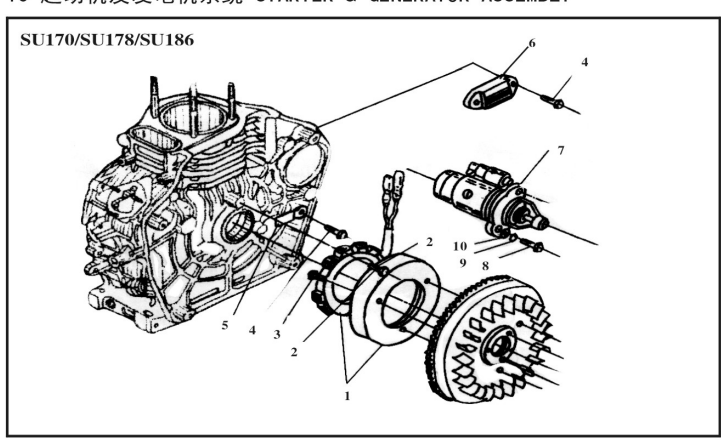
12 燃油泵总成 FUEL INJECTION PUMP ASSEMBLY



15 风扇罩总成 COOLING DEVICE ASSEMBLY



16 起动机及发电机系统 STARTER & GENERATOR ASSEMBLY



1 机体总成 CYLINDER BLOCK ASSEMBLY

Table with 5 columns: NO, CODE, DESCRIPTION, DESCRIPTION, QUANTITIES. Lists parts for the cylinder block assembly including drain plug, oil pump, fuel controller, and various gaskets and nuts.

5 曲轴飞轮总成 CRANK SHAFT & FLYWHEEL ASSEMBLY

Table with 5 columns: NO, CODE, DESCRIPTION, DESCRIPTION, QUANTITIES. Lists parts for the crankshaft and flywheel assembly including crankcase gasket, crankshaft, and flywheel.

10 燃油系统总成 FUEL TANK & FUEL PIPE ASSEMBLY

Table with 5 columns: NO, CODE, DESCRIPTION, DESCRIPTION, QUANTITIES. Lists parts for the fuel tank and fuel pipe assembly including fuel tank, fuel lines, and nozzle holder.

13 喷嘴器总成 FUEL NOZZLE ASSEMBLY

Table with 5 columns: NO, CODE, DESCRIPTION, DESCRIPTION, QUANTITIES. Lists parts for the fuel nozzle assembly including nozzle holder, nozzle, and fuel line.

2 气缸盖总成 CYLINDER HEAD ASSEMBLY

Table with 5 columns: NO, CODE, DESCRIPTION, DESCRIPTION, QUANTITIES. Lists parts for the cylinder head assembly including intake valve, valve spring, and rocker arm.

6 凸轮轴总成 CAMSHAFT ASSEMBLY

Table with 5 columns: NO, CODE, DESCRIPTION, DESCRIPTION, QUANTITIES. Lists parts for the camshaft assembly including camshaft, timing gear, and camshaft gasket.

7 进气系统总成 AIR CLEANER ASSEMBLY

Table with 5 columns: NO, CODE, DESCRIPTION, DESCRIPTION, QUANTITIES. Lists parts for the air cleaner assembly including air filter, housing, and intake duct.

11 调速及操纵系统 GOVERNOR&CONTROL SYSTEM

Table with 5 columns: NO, CODE, DESCRIPTION, DESCRIPTION, QUANTITIES. Lists parts for the governor and control system including governor linkage, control lever, and related components.

14 手拉启动总成 RECOIL STARTER ASSEMBLY

Table with 5 columns: NO, CODE, DESCRIPTION, DESCRIPTION, QUANTITIES. Lists parts for the recoil starter assembly including starter handle, spring, and pulley.

15 风扇罩总成 FAN COVER ASSEMBLY

Table with 5 columns: NO, CODE, DESCRIPTION, DESCRIPTION, QUANTITIES. Lists parts for the fan cover assembly including fan shroud, fan, and pulley.

3 气缸盖罩总成 CYLINDER HEAD BONNET ASSEMBLY

Table with 5 columns: NO, CODE, DESCRIPTION, DESCRIPTION, QUANTITIES. Lists parts for the cylinder head bonnet assembly including bonnet cover and mounting hardware.

4 活塞连杆总成 PISTON&CONNECTING ROD ASSEMBLY

Table with 5 columns: NO, CODE, DESCRIPTION, DESCRIPTION, QUANTITIES. Lists parts for the piston and connecting rod assembly including piston, connecting rod, and wrist pin.

8 消声器总成 SILENCER ASSEMBLY

Table with 5 columns: NO, CODE, DESCRIPTION, DESCRIPTION, QUANTITIES. Lists parts for the silencer assembly including silencer housing and internal baffles.

9 润滑系统总成 LUBE OIL SYSTEM

Table with 5 columns: NO, CODE, DESCRIPTION, DESCRIPTION, QUANTITIES. Lists parts for the lubrication system including oil pump, filter, and oil lines.

12 燃油泵总成 FUEL INJECTION PUMP ASSEMBLY

Table with 5 columns: NO, CODE, DESCRIPTION, DESCRIPTION, QUANTITIES. Lists parts for the fuel injection pump assembly including injection pump, fuel lines, and nozzle holder.

13 喷嘴器总成 FUEL NOZZLE ASSEMBLY

Table with 5 columns: NO, CODE, DESCRIPTION, DESCRIPTION, QUANTITIES. Lists parts for the fuel nozzle assembly including nozzle holder, nozzle, and fuel line.

16 起动机及发电机系统 STARTER & GENERATOR ASSEMBLY

Table with 5 columns: NO, CODE, DESCRIPTION, DESCRIPTION, QUANTITIES. Lists parts for the starter and generator system including starter motor, generator, and drive pulley.